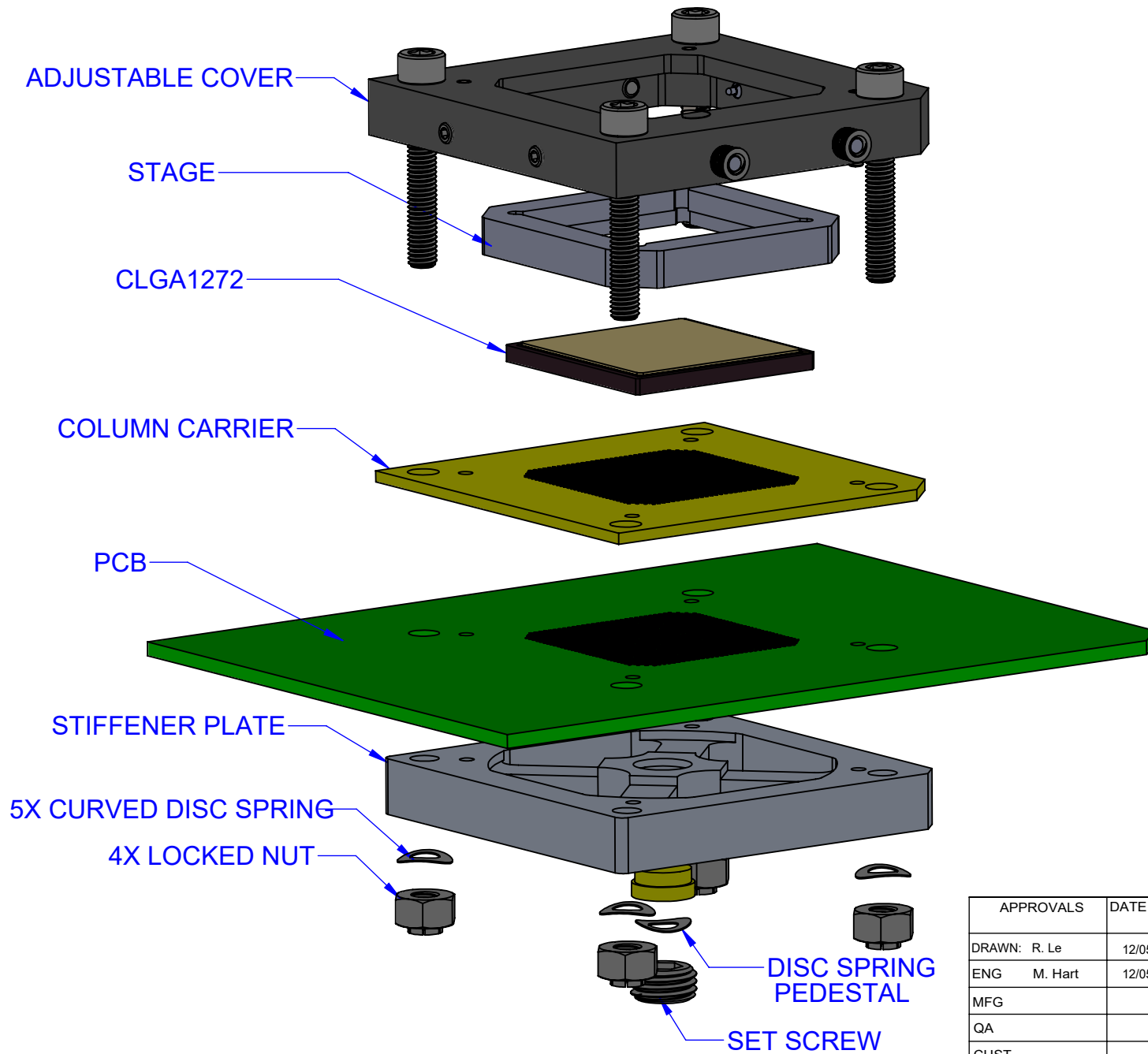
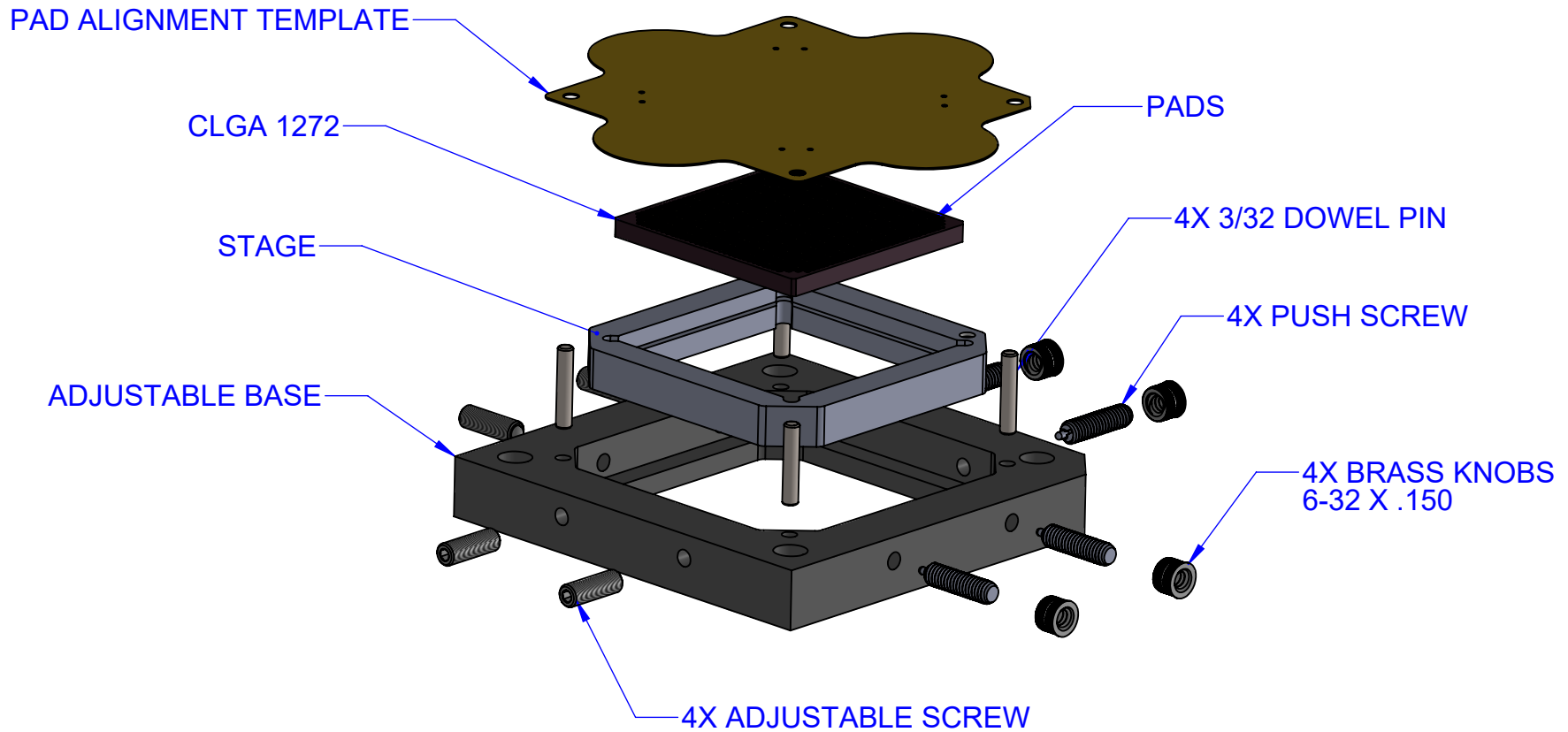


JPL-LGA1272 TV9 EXPLODED VIEW



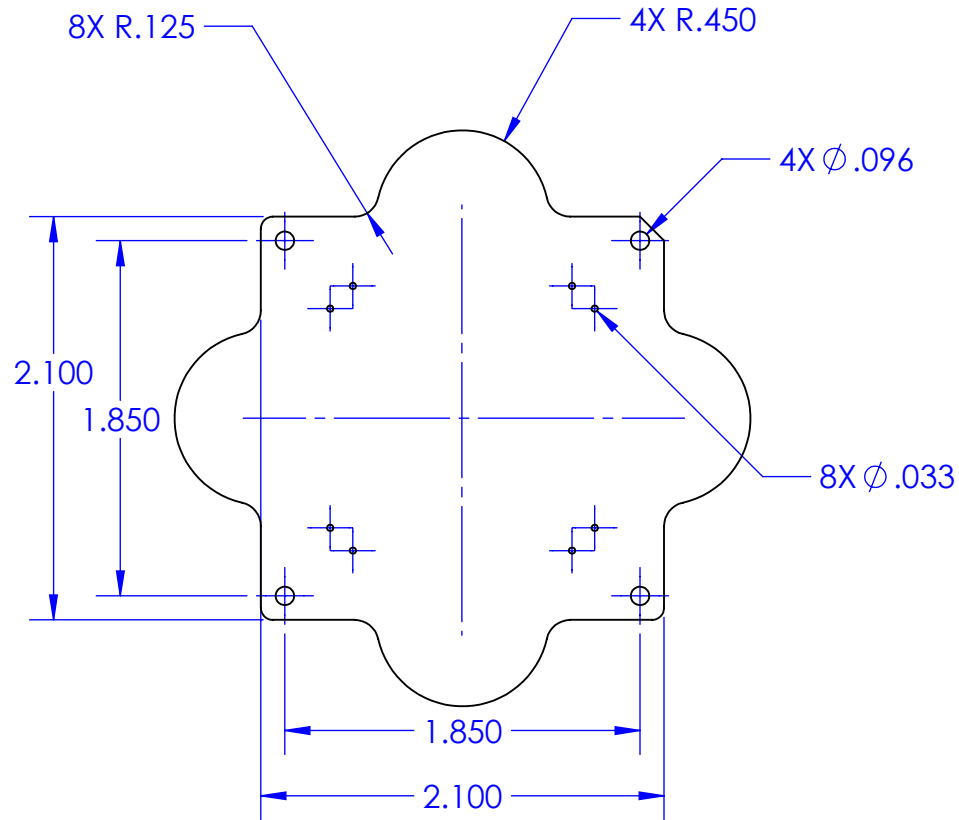
APPROVALS	DATE	TopLine [®]			
DRAWN: R. Le	12/05/19				
ENG M. Hart	12/05/19	TITLE	IP94D1272E20x87A		
MFG		SCALE	SIZE	DRAWING NO.	REV
QA		1:1	A	313681	A
CUST		DO NOT SCALE DRAWING		SHEET 1 OF 15	
REVISED					

ASSEMBLY WITH ALIGNMENT PLATE BOTTOM VIEW



TopLine [®]			
TITLE		IP94D1272E20x87A	
SCALE	SIZE	DRAWING NO.	REV
1:1	A	313681	A
DO NOT SCALE DRAWING			SHEET 2 OF 15

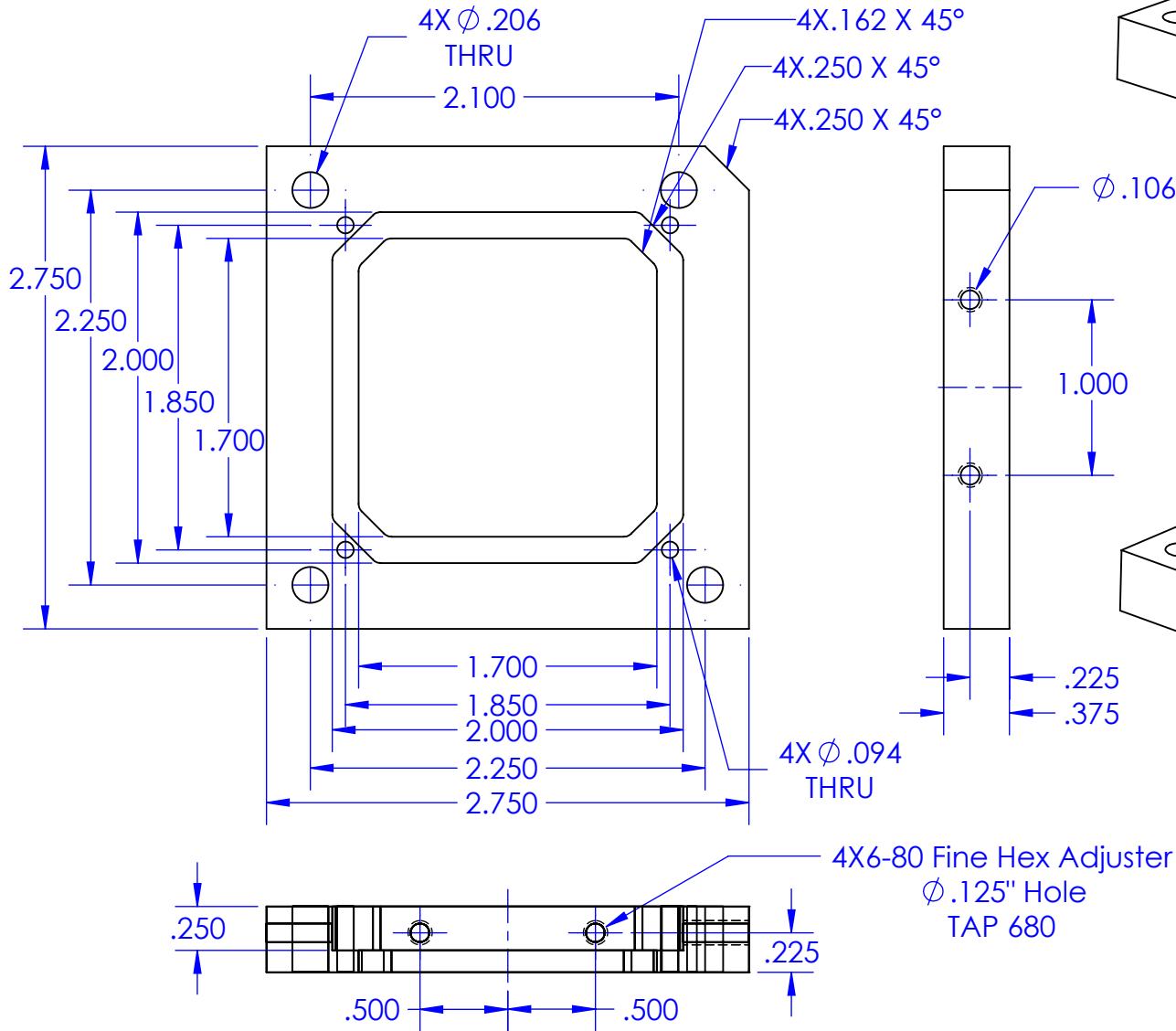
ALIGNMENT TEMPLATE



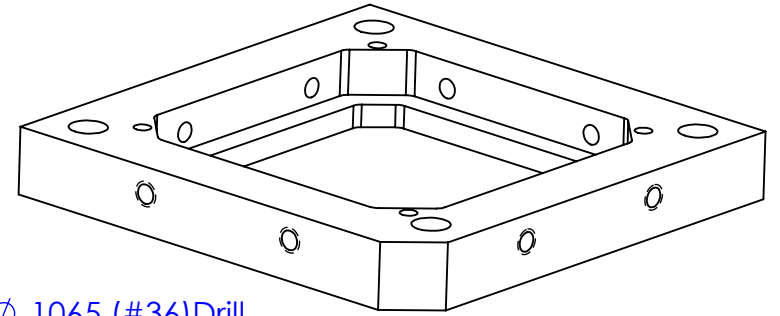
TopLine [®]			
TITLE		IP94D1272E20x87A	
SCALE	SIZE	DRAWING NO.	REV
1:1	A	313681	A
DO NOT SCALE DRAWING			SHEET 3 OF 15

ADJUSTABLE COVER

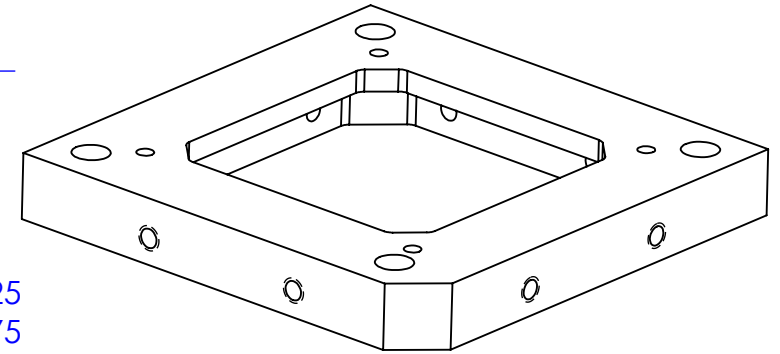
BOTTOM VIEW



BOTTOM VIEW



TOP VIEW

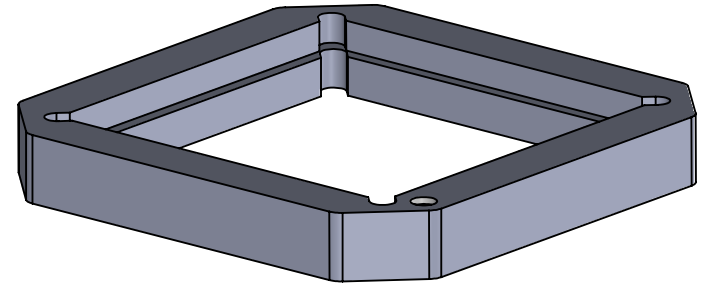


NOTES:
 DIMENSION: INCHES

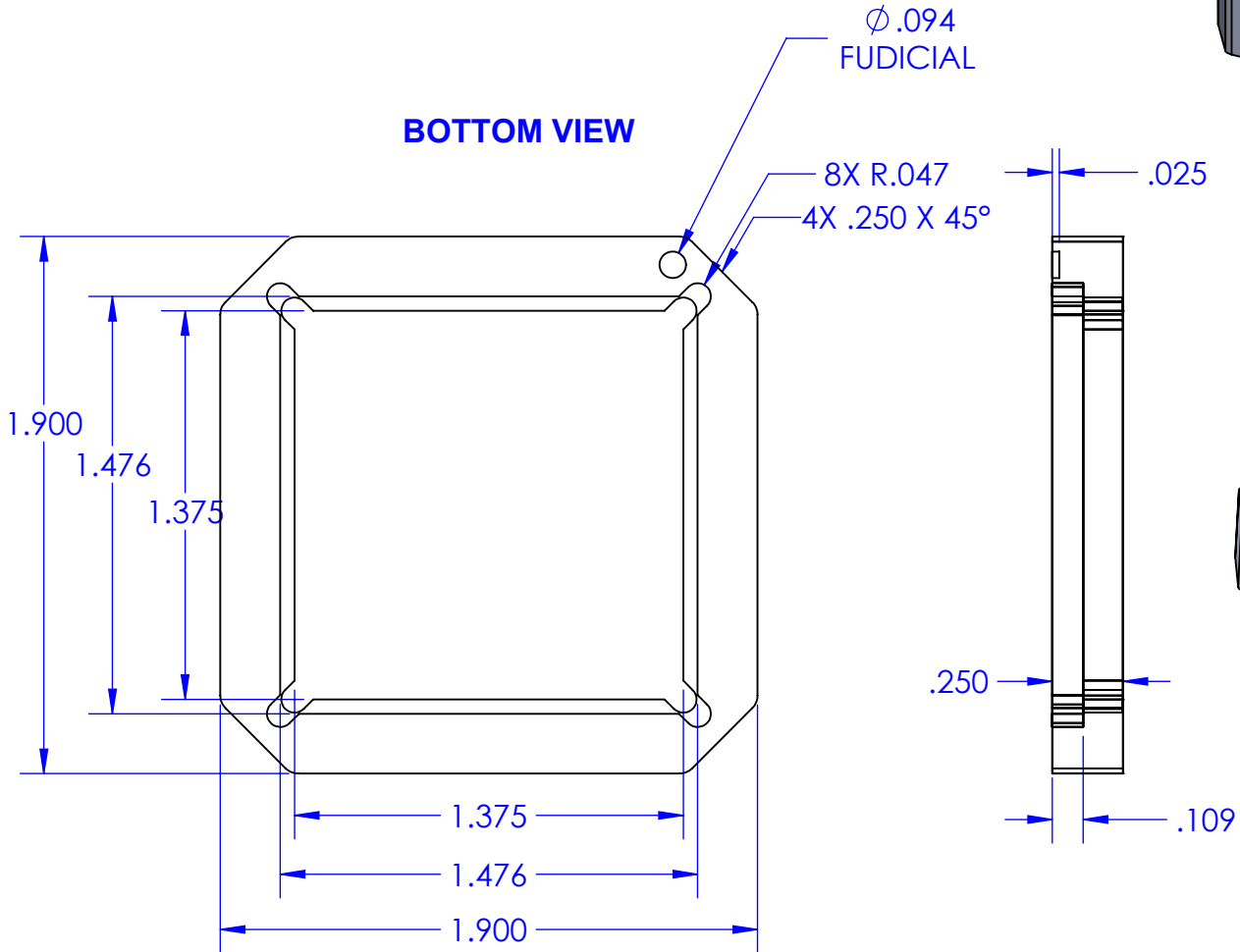
TopLine ®			
TITLE		IP94D1272E20x87A	
SCALE	SIZE	DRAWING NO.	REV
1:1	A	313681	A
DO NOT SCALE DRAWING			SHEET 4 OF 15

MOVABLE STAGE

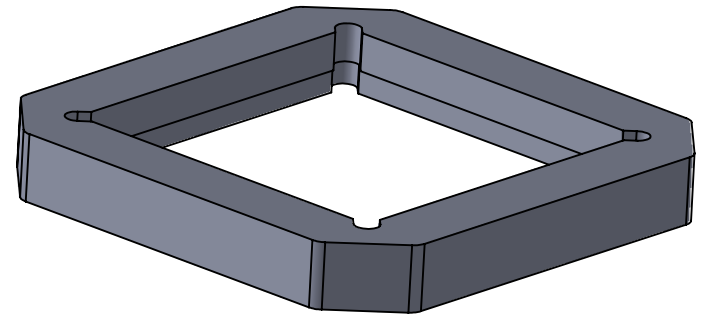
BOTTOM VIEW



BOTTOM VIEW



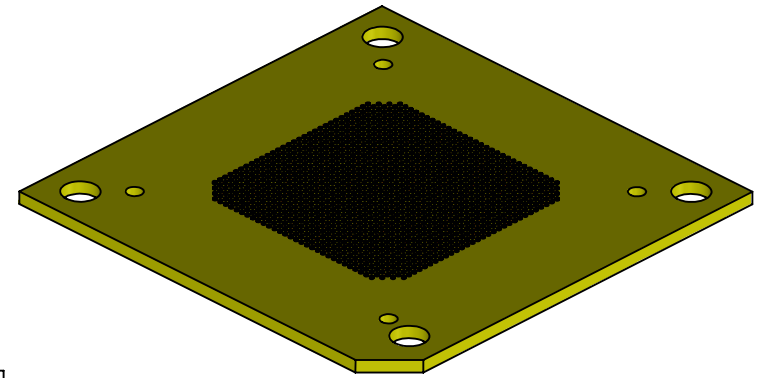
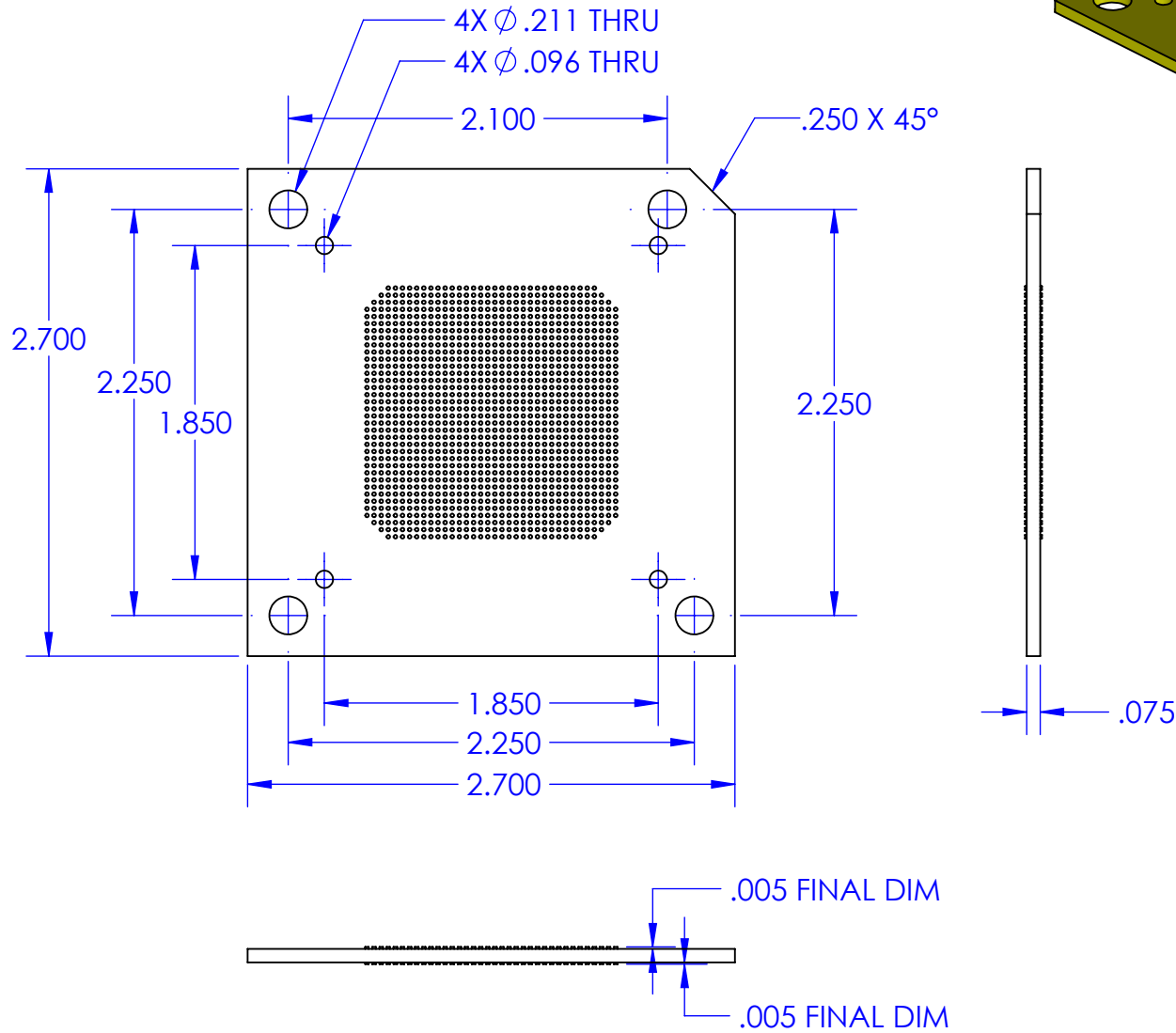
TOP VIEW



NOTES:
DIMENSION: INCHES

TopLine [®]			
TITLE		IP94D1272E20x87A	
SCALE	SIZE	DRAWING NO.	REV
1.5:1	A	313681	A
DO NOT SCALE DRAWING			SHEET 5 OF 15

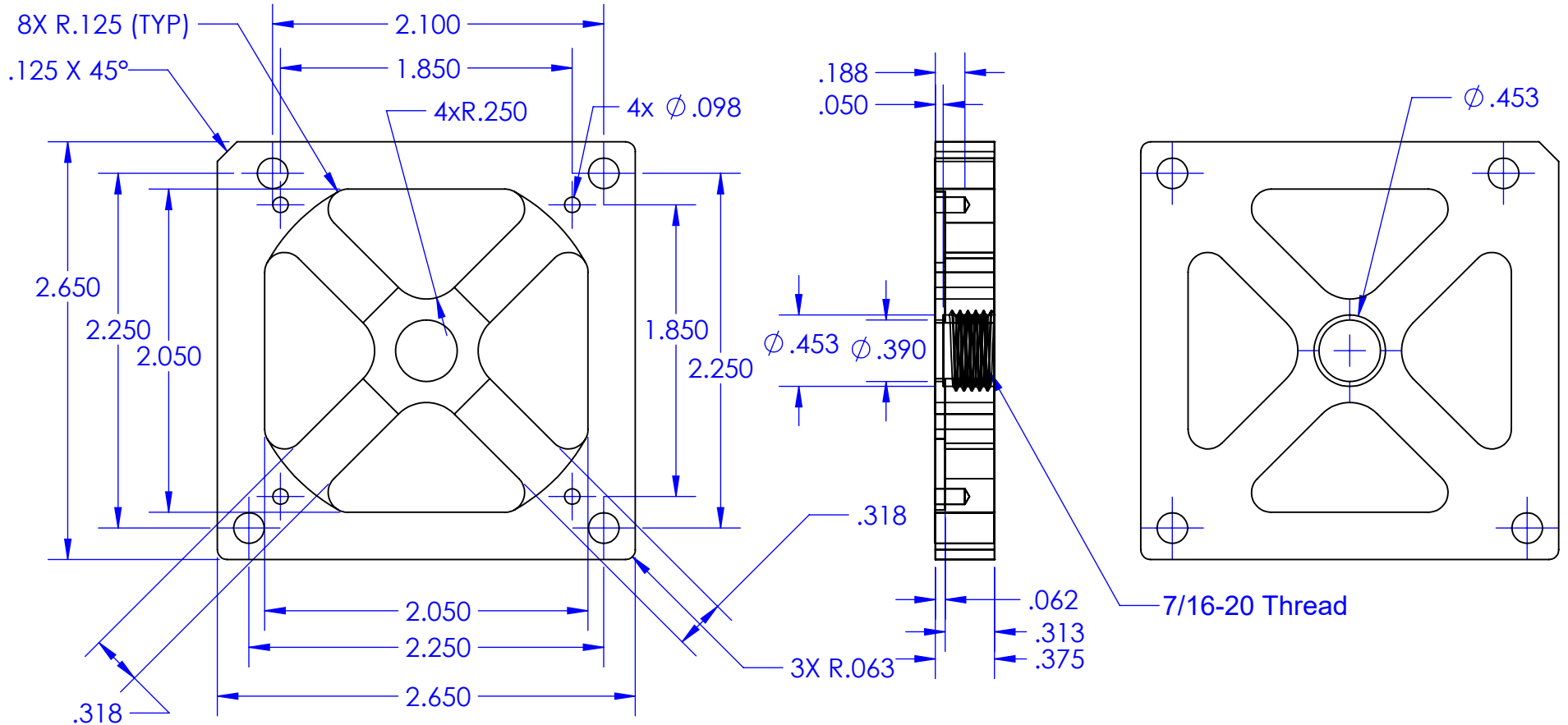
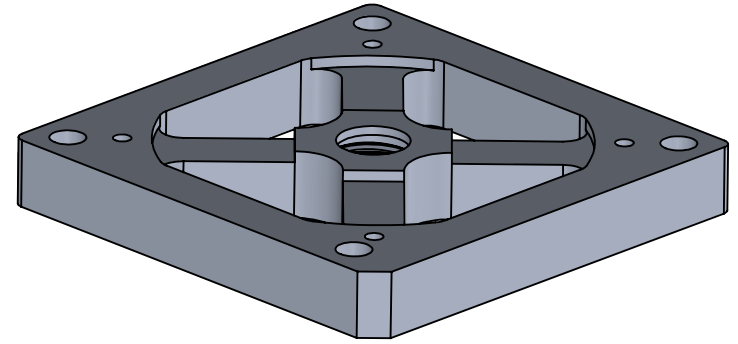
COLUMN CARRIER



NOTES:
DIMENSION: INCHES

TopLine ®			
TITLE		IP94D1272E20x87A	
SCALE	SIZE	DRAWING NO.	REV
1:1	A	313681	A
DO NOT SCALE DRAWING			SHEET 6 OF 15

STIFFENER PLATE VERSION C WITH DOWNSET

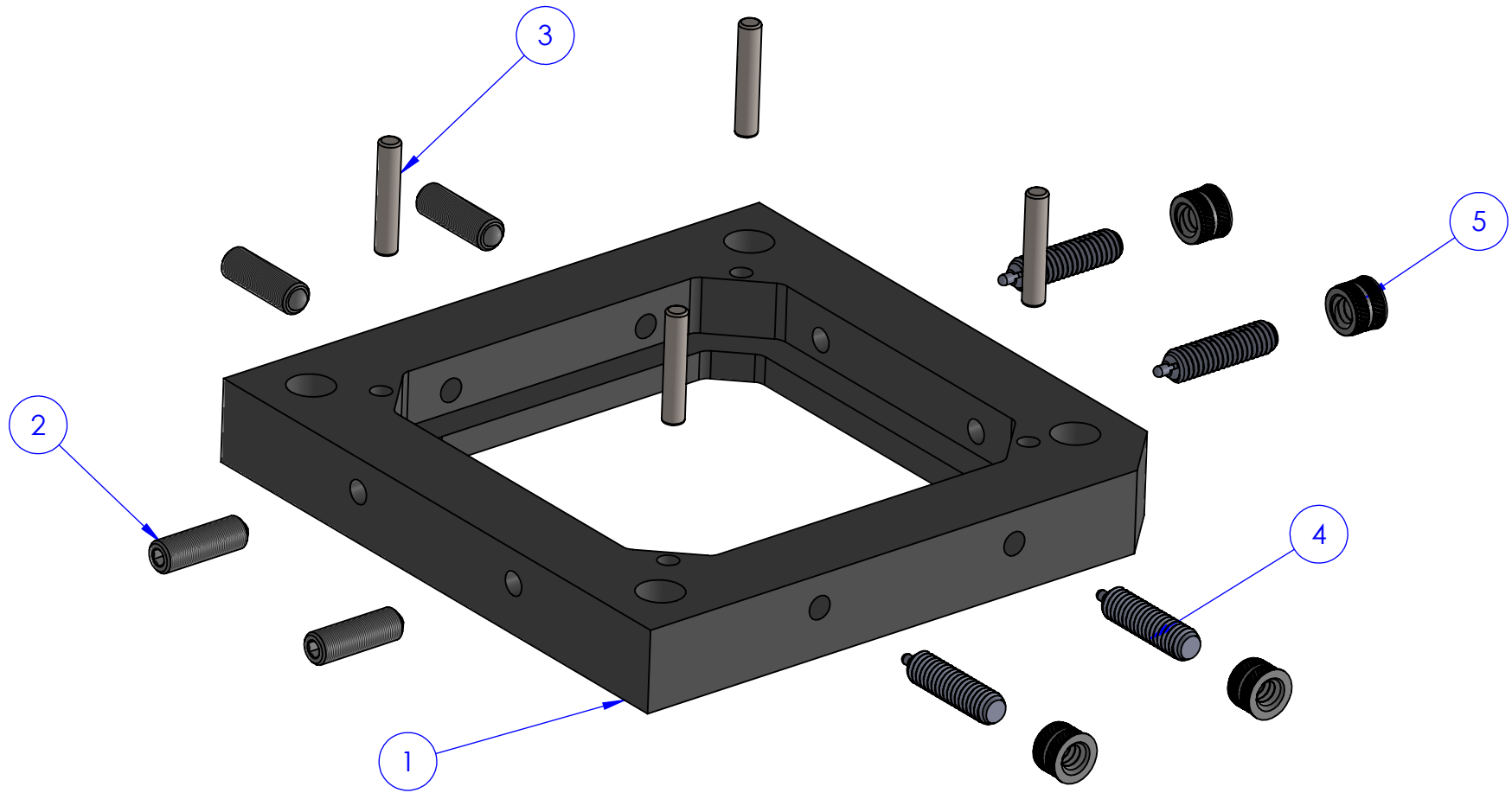


NOTES:
DIMENSION INCHES

TopLine [®]			
TITLE		IP94D1272E20x87A	
SCALE	SIZE	DRAWING NO.	REV
1:1	A	313681	A
DO NOT SCALE DRAWING			SHEET 7 OF 15

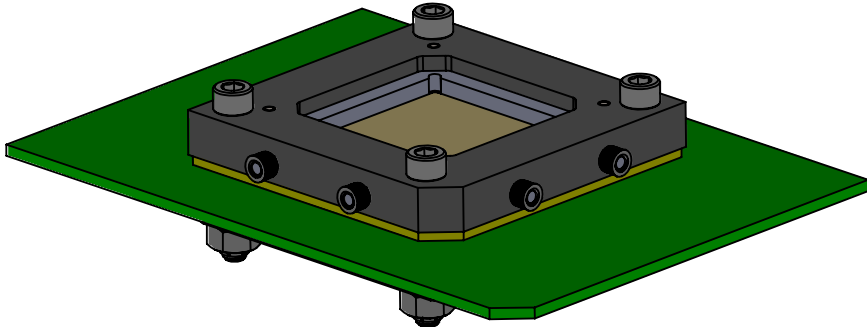
COVER ASSEMBLY BOTTOM VIEW

ITEM NO.	PART NUMBER	DESCRIPTION	QTY.
1	Adjustable Cover	.	1
2		6-80 x .45"	4
3		3/32"x 0.500 Dowel	4
4		STEEL LONG NOSE SPRING PLUNGER	4
5.		BRASS KNOBS 6-32x .150	4

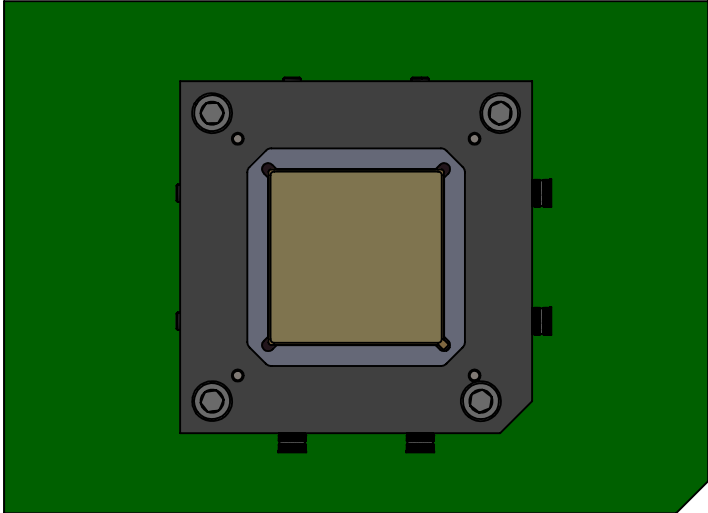


TopLine [®]			
TITLE		IP94D1272E20x87A	
SCALE	SIZE	DRAWING NO.	REV
1.5:1	A	313681	A
DO NOT SCALE DRAWING			SHEET 8 OF 15

**ASSEMBLY ON PCB
TOP**

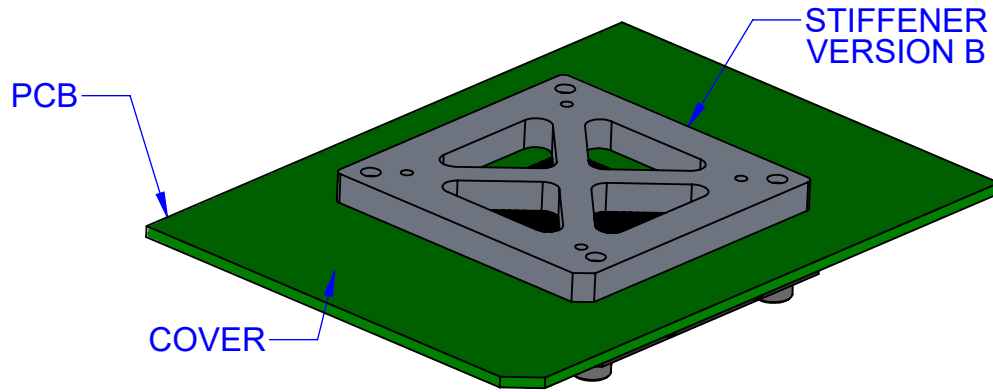


TOP VIEW

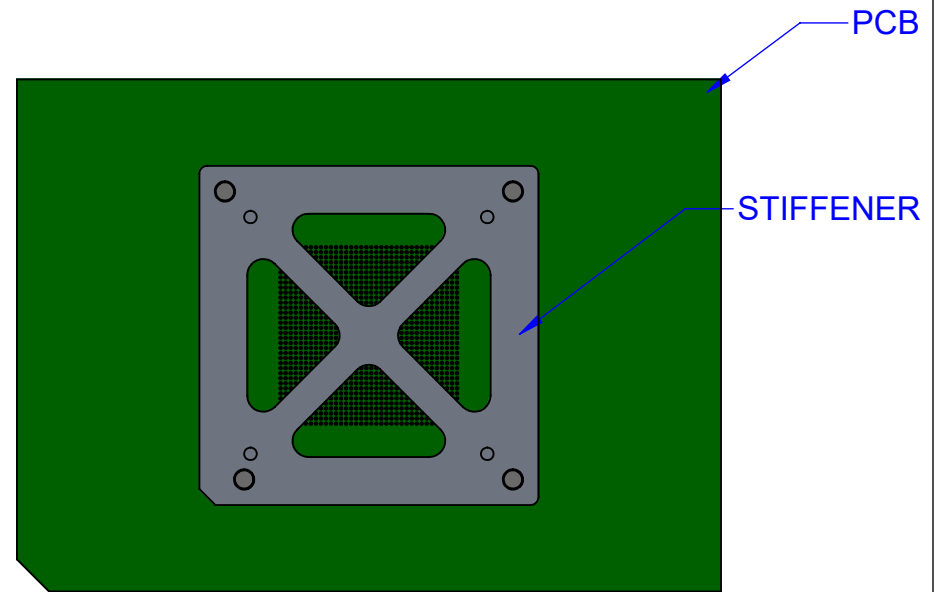


TopLine [®]			
TITLE		IP94D1272E20x87A	
SCALE	SIZE	DRAWING NO.	REV
1:1.5	A	313681	A
DO NOT SCALE DRAWING			SHEET 9 OF 15

ASSEMBLY ON PCB BOTTOM

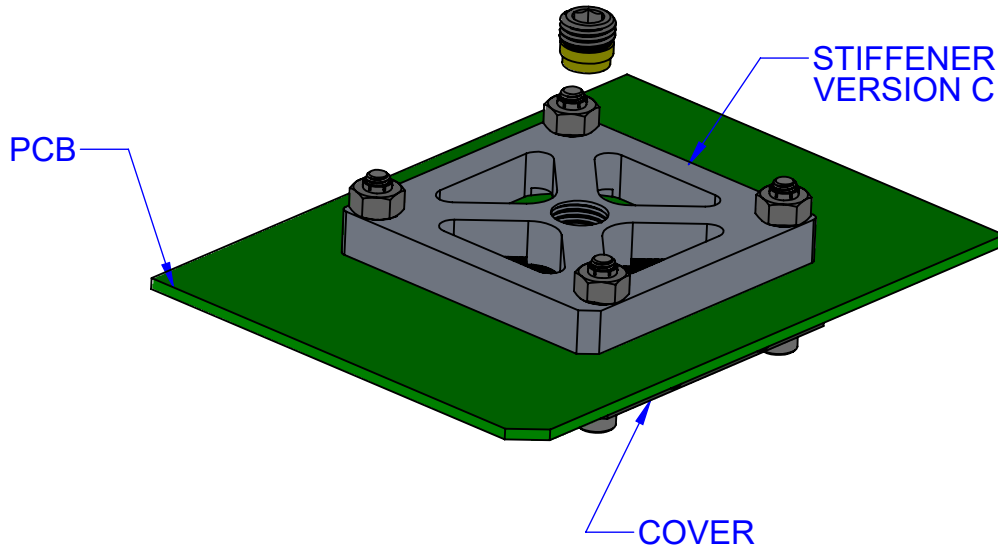


BOTTOM VIEW

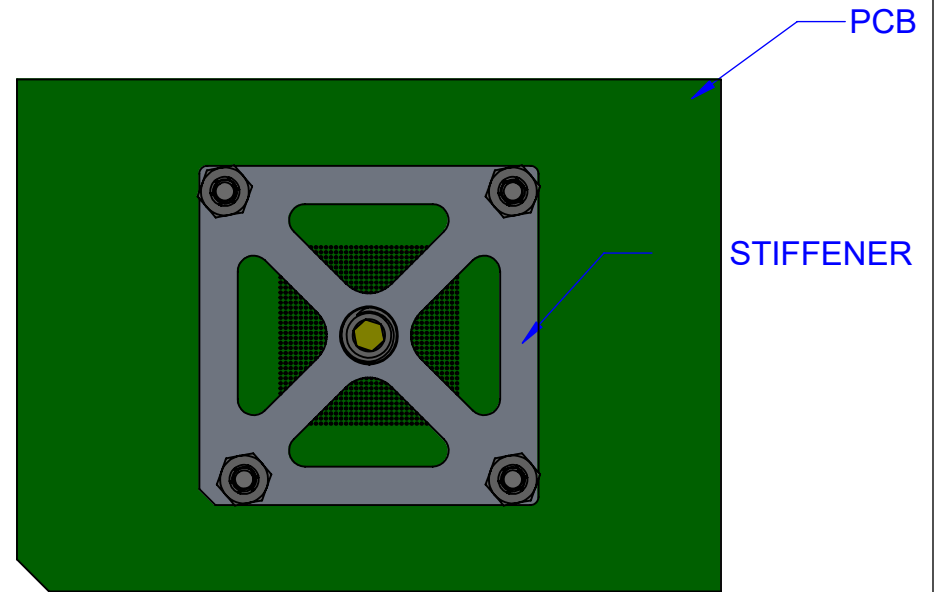


TopLine ®			
TITLE		IP94D1272E20x87A	
SCALE	SIZE	DRAWING NO.	REV
1:1.5	A	313681	A
DO NOT SCALE DRAWING			SHEET 10 OF 15

ASSEMBLY ON PCB BOTTOM



BOTTOM VIEW

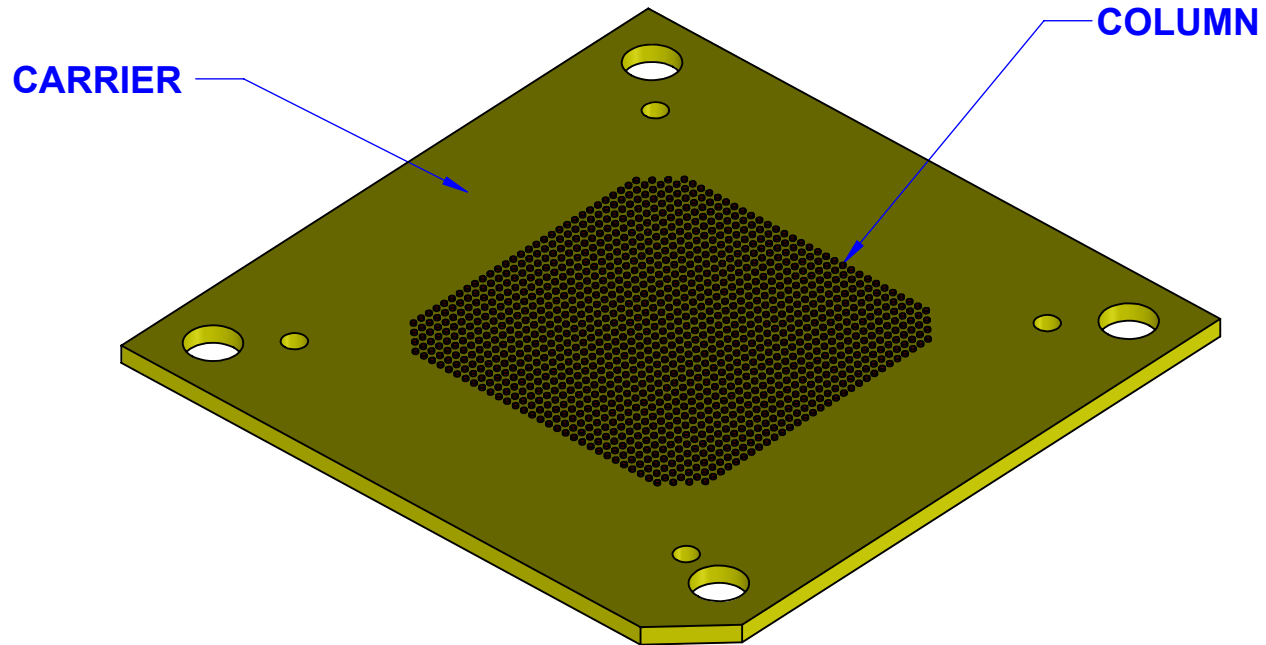


.....

.....

TopLine [®]			
TITLE		IP94D1272E20x87A	
SCALE	SIZE	DRAWING NO.	REV
1:1.5	A	313681	A
DO NOT SCALE DRAWING			SHEET 11 OF 15

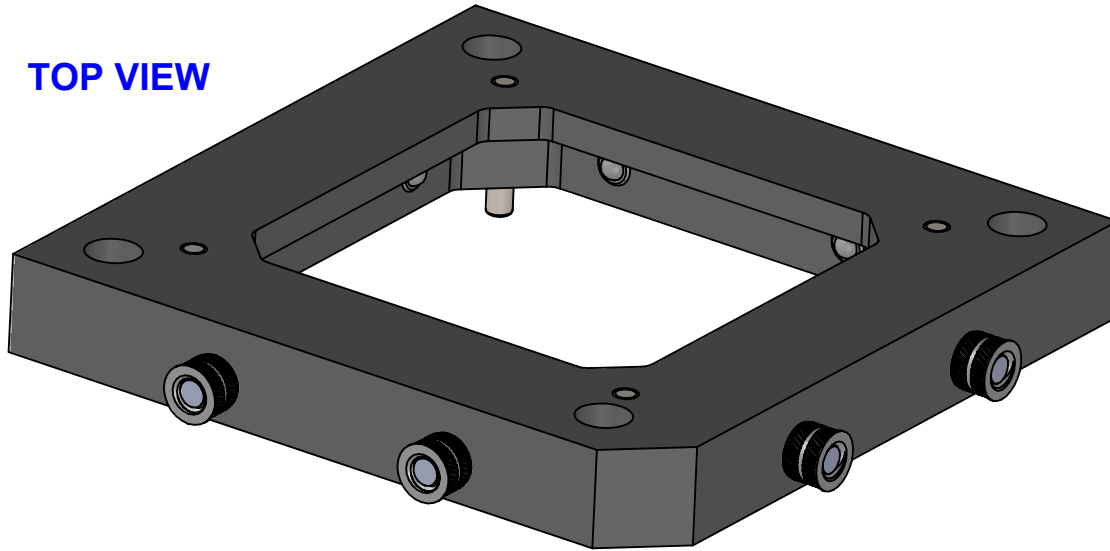
COLUMN CARRIER TOP VIEW



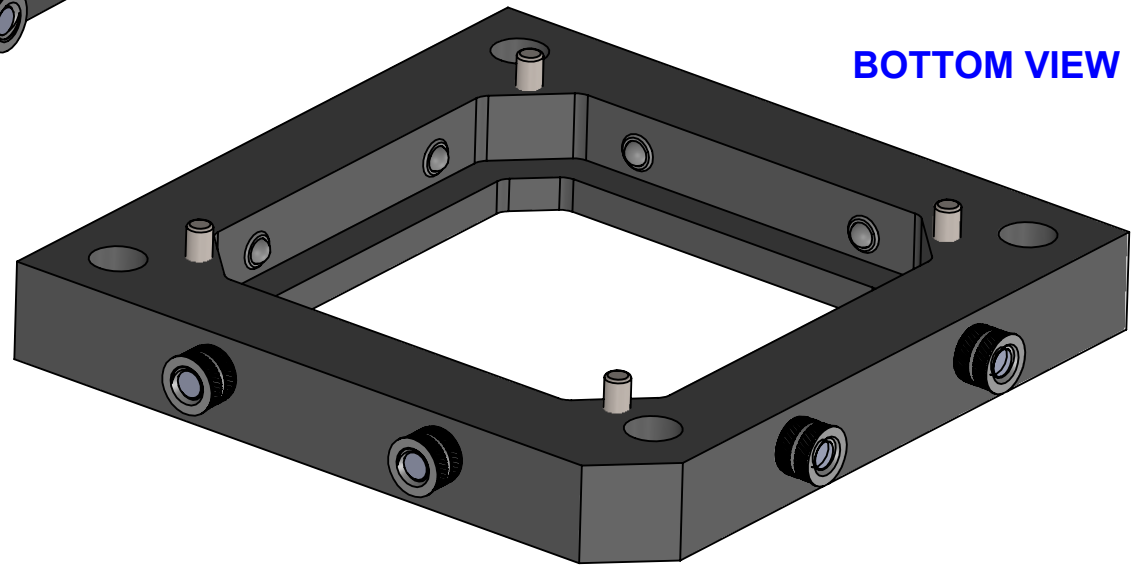
TopLine [®]			
TITLE		IP94D1272E20x87A	
SCALE	SIZE	DRAWING NO.	REV
1.5:1	A	313681	A
DO NOT SCALE DRAWING			SHEET 12 OF 15

ADJUSTABLE COVER

TOP VIEW



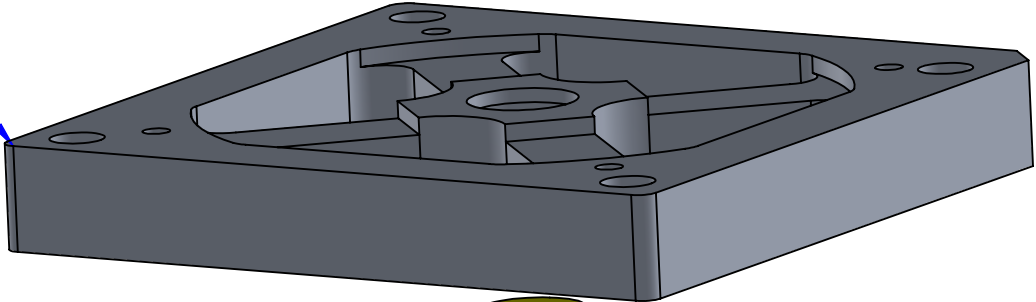
BOTTOM VIEW



TopLine [®]			
TITLE		IP94D1272E20x87A	
SCALE	SIZE	DRAWING NO.	REV
1.5:1	A	313681	A
DO NOT SCALE DRAWING			SHEET 13 OF 15

STIFFENER WITH CURVED SPRING IN MIDDLE

STIFFENER
VERSION C



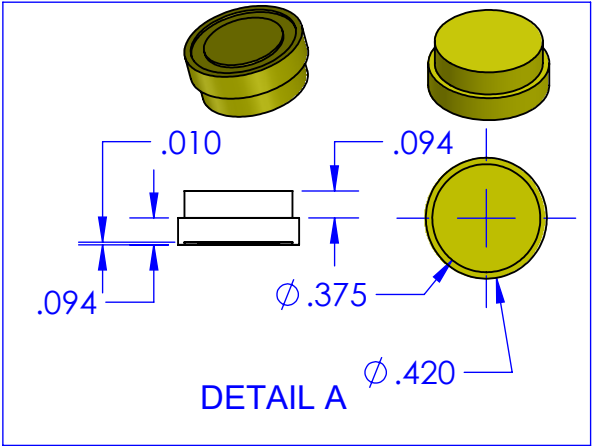
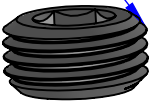
STEP PIN
(SEE DETAIL A)



CURVED SPRING

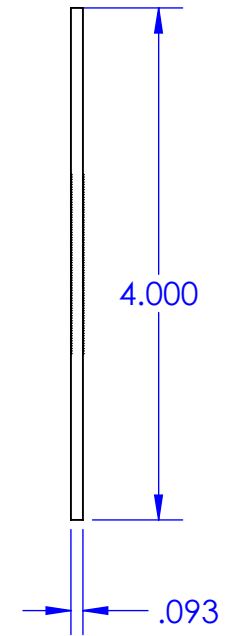
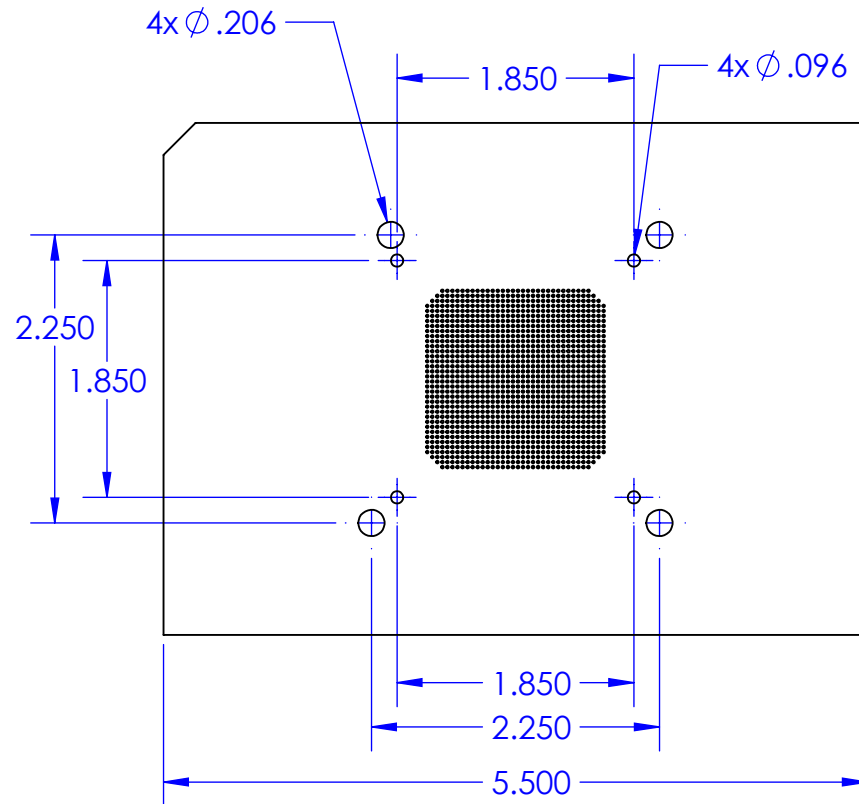


7/16"-20 THREAD SET SCREW



TopLine [®]			
TITLE		IP94D1272E20x87A	
SCALE	SIZE	DRAWING NO.	REV
1.5:1	A	313681	A
DO NOT SCALE DRAWING			SHEET 14 OF 15

PCB



TopLine[®]

TITLE IP94D1272E20x87A

SCALE	SIZE	DRAWING NO.	REV
1:1.5	A	313681	A

DO NOT SCALE DRAWING

SHEET 15 OF 15