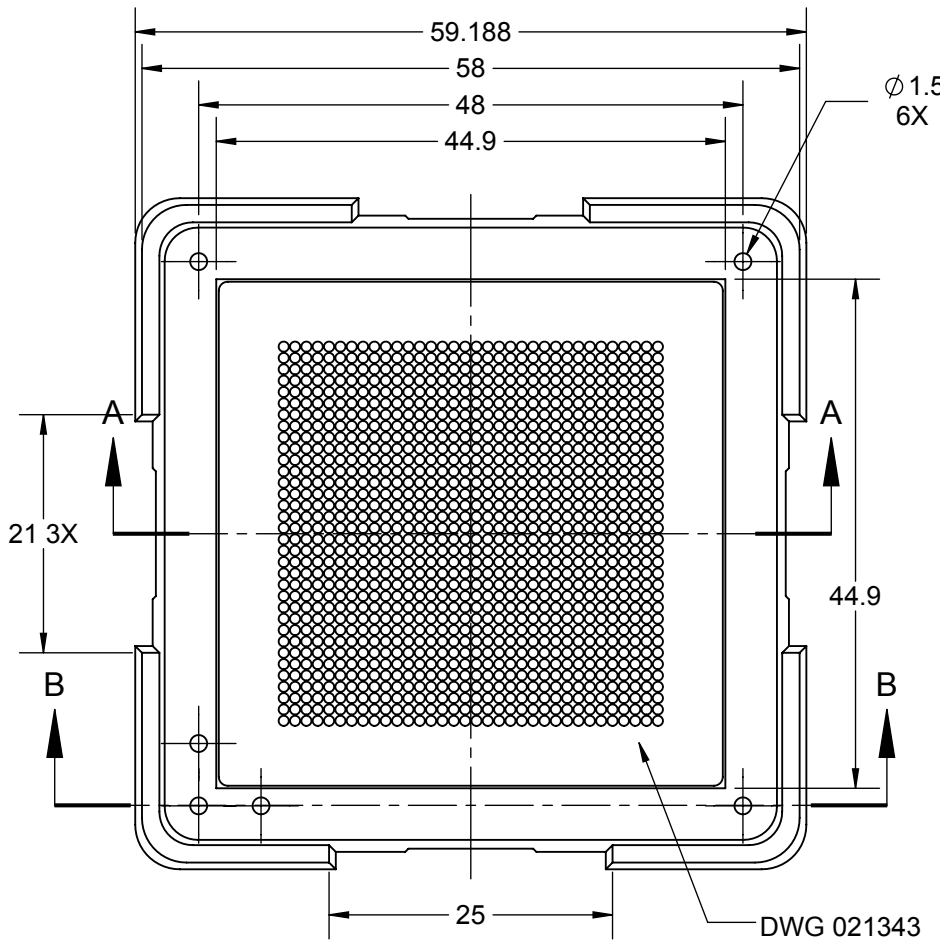
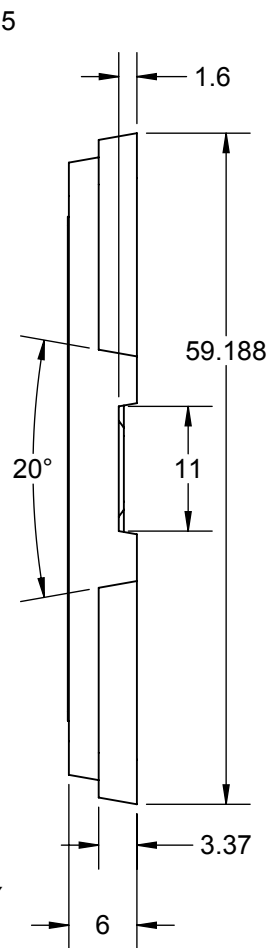


HCD

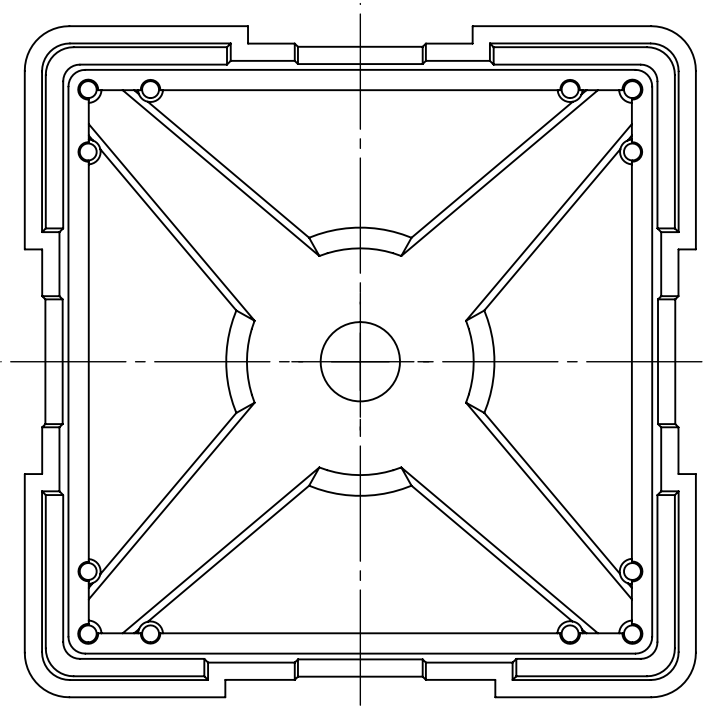


DWG 021343
34x34 ARRAY
PITCH 1.0mm

G89



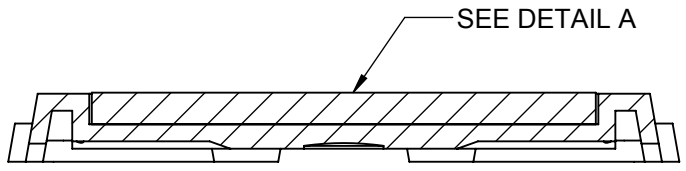
6 CHCA



NOTES:

1. DIMENSION MM.
2. MATERIAL: BLUE ABS PERMASTAT® 600.
3. TEMPERATURE 60° MAX.
4. PERMANENT ESD
 - a. BLUE CARRIER RESISTIVITY $10^4 \sim 10^5 \Omega$
 - b. BLACK INSERT RESISTIVITY $10^4 \sim 10^6 \Omega$

SEE DETAIL A



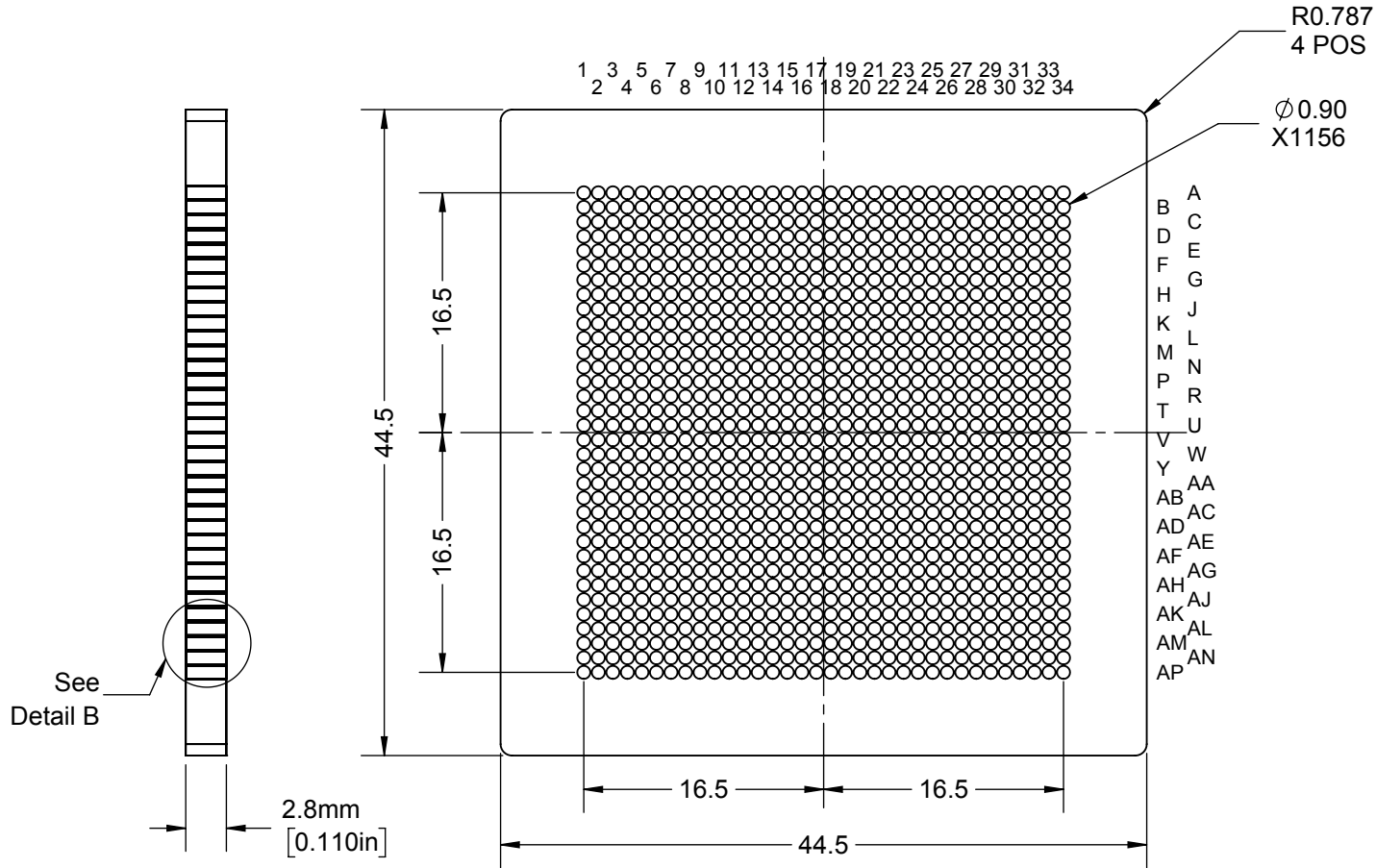
G97 HCB 5 I5

APPROVALS	DATE	TopLine®			
DRAWN T. Au	8/2/2020				
ENG M. Hart	8/2/2020	TITLE CCGA1144~1152 1.0MM CARRIER			
MFG		SCALE	SIZE	DRAWING NO.	REV
QA		3:2	A	038134	A
CUST		DO NOT SCALE DRAWING			SHEET 1 OF 4
REVISED					

G89J9K

HCDJ9K

89H5=@5



NOTES:

1. DIMENSIONS MM [INCH].

2. MATERIAL:

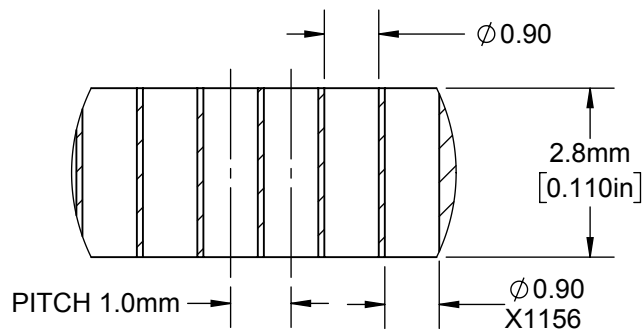
A. CONDUCTIVE PLASTIC BLACK

B. RAW MATERIAL DWG 120280

C. eM22 $10^4 \sim 10^6 \Omega$.

D. PERMANENT ESD SAFE.

89H5=@6



TopLine®

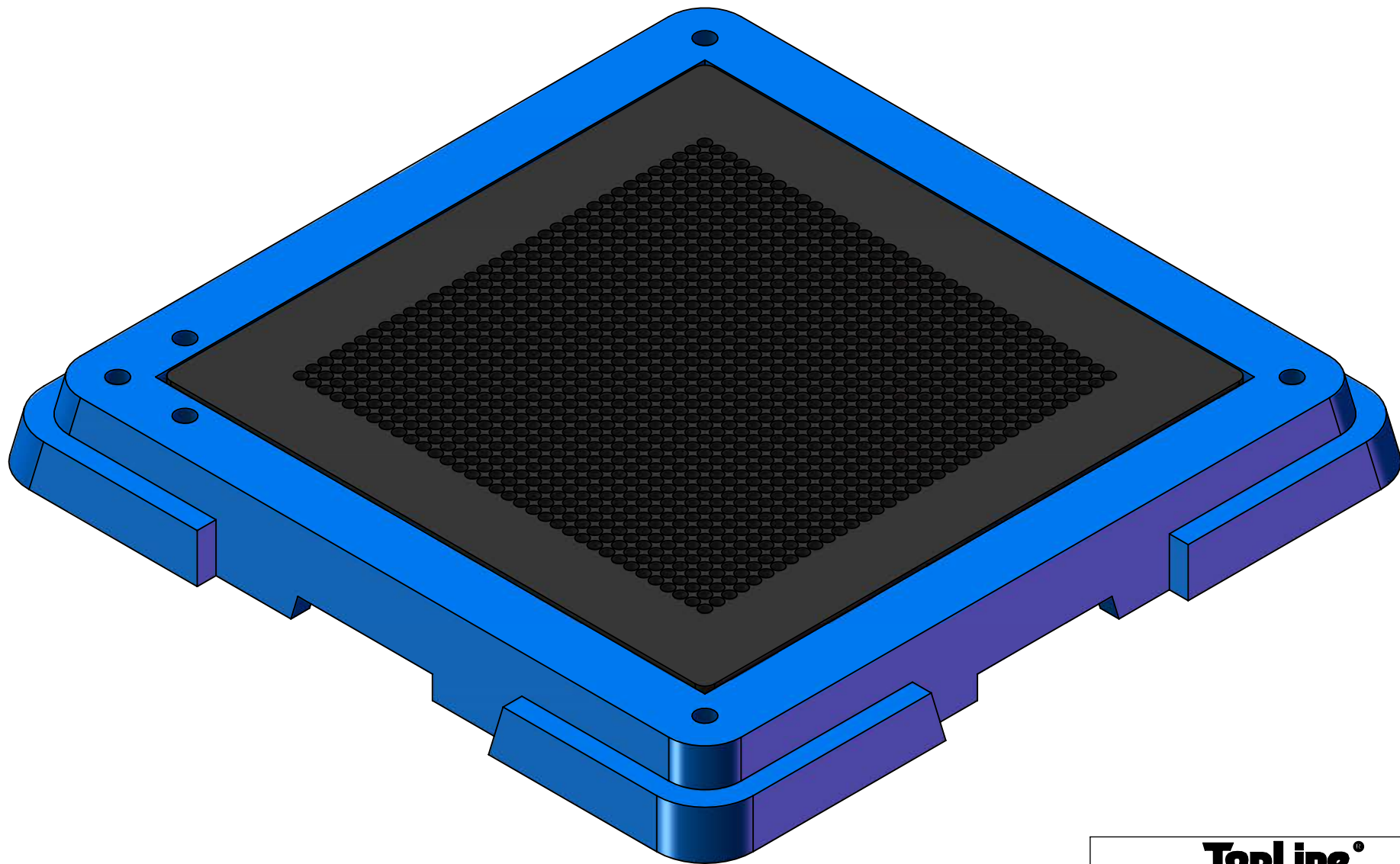
TITLE CCGA1144~1152
1.0MM CARRIER

SCALE 2:1	SIZE A	DRAWING NO. 038134	REV A
--------------	-----------	-----------------------	----------

DO NOT SCALE DRAWING

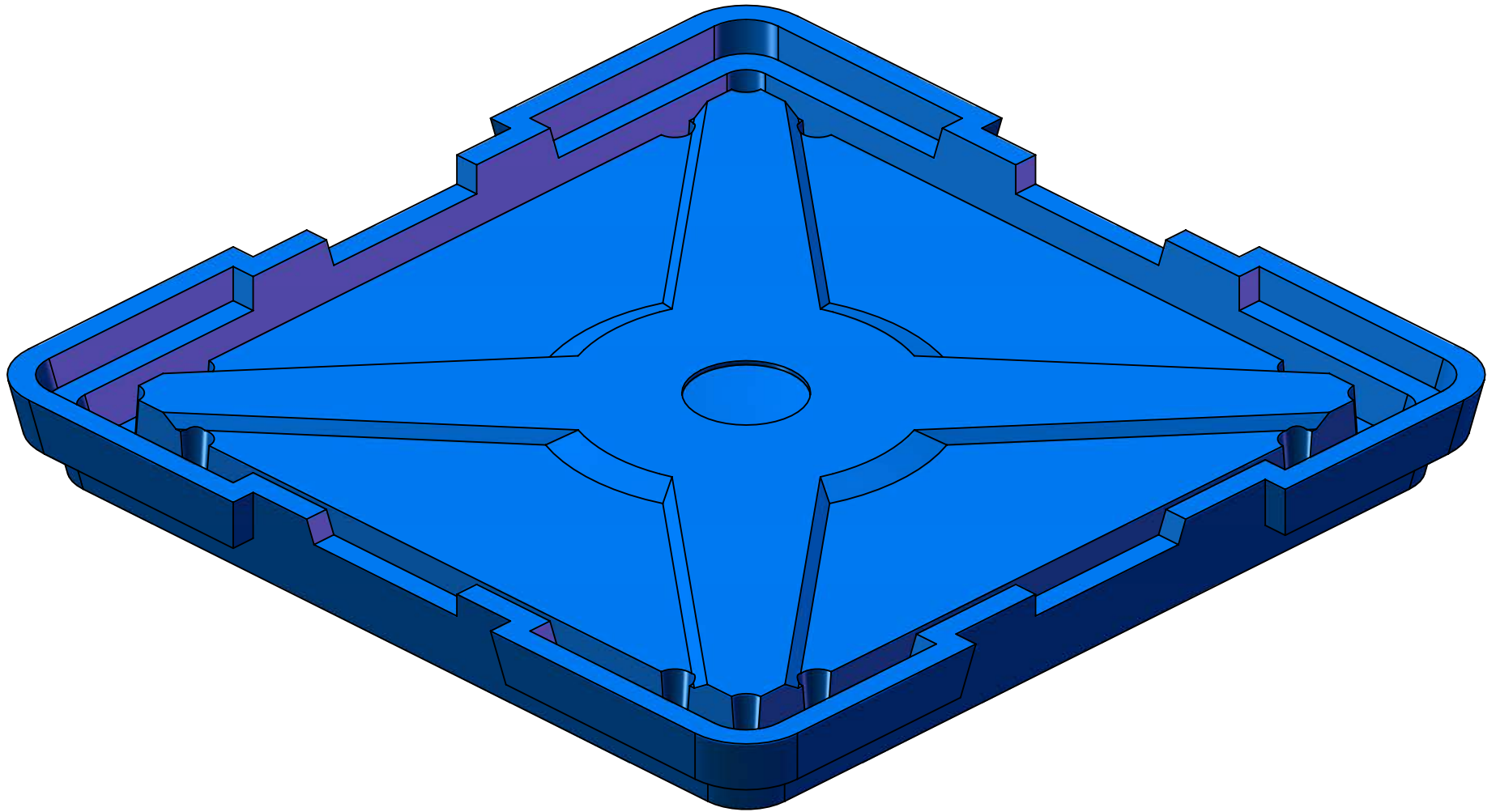
SHEET 2 OF 4

AC89@HCD



TopLine[®]			
TITLE		CCGA1144~1152 1.0MM CARRIER	
SCALE	SIZE	DRAWING NO.	REV
3:1	A	038134	A
DO NOT SCALE DRAWING			SHEET 3 OF 4

AC89@
6 CHCA



TopLine[®]			
TITLE		CCGA1144~1152 1.0MM CARRIER	
SCALE	SIZE	DRAWING NO.	REV
3:1	A	038134	A
DO NOT SCALE DRAWING			SHEET 4 OF 4