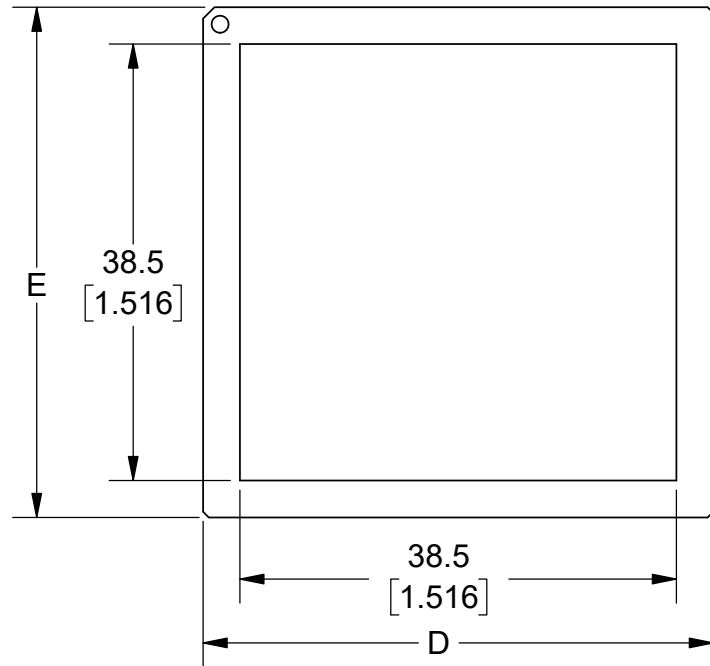
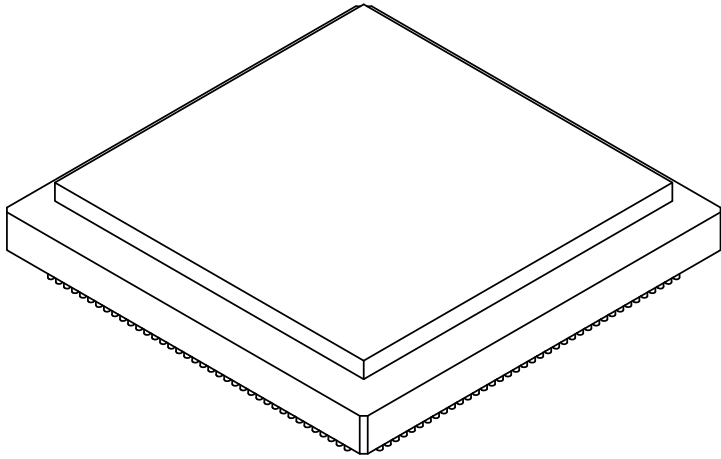


# PACKAGE STYLE #1 LARGE HEAT SPREADER

DIMENSIONS: [ ] MM [ ] INCH



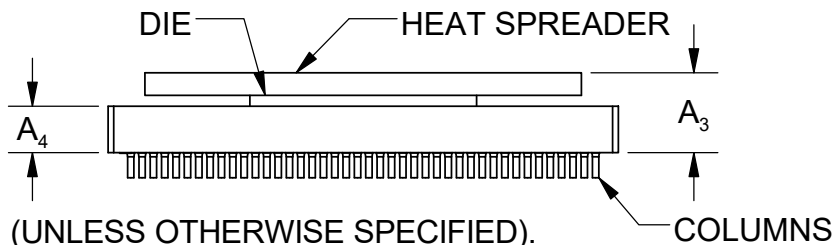
ACTUAL MEASUREMENTS				
SAMPLE	D	E	A3	A4
1				
2				
3				
4				
5				
6				
7				
8				
9				
10				
AVERAGE				

[ ] CONTINUED

CUSTOMER: \_\_\_\_\_

CONTACT: \_\_\_\_\_

DATE: \_\_\_\_\_ 20\_\_

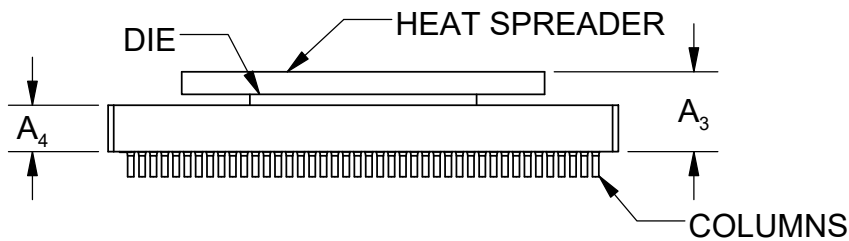
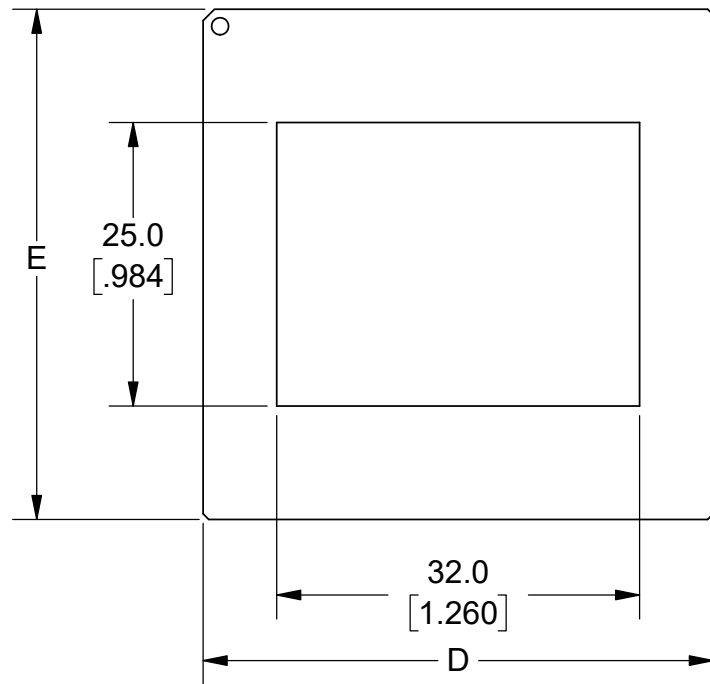
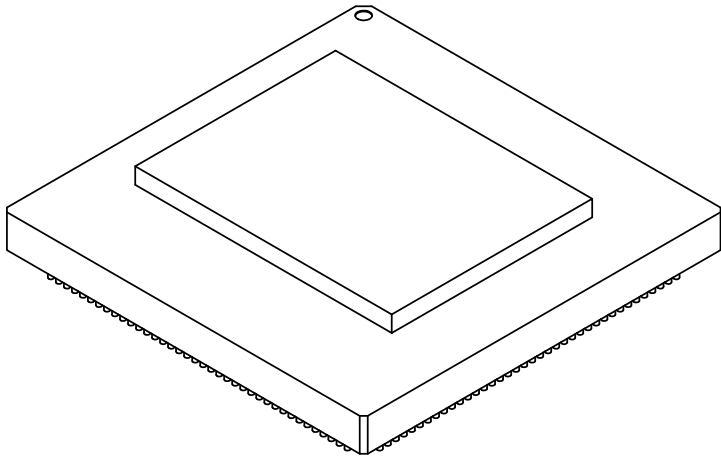


NOTES: (UNLESS OTHERWISE SPECIFIED).  
1) DIMENSIONS: MM [INCHES].

APPROVALS	DATE	<b>TopLine</b> <sup>®</sup>			
DRAWN J. Hines	9/6/2016				
ENG M. Hart	9/6/2016	TITLE		MEASUREMENT LOG SHEETS	
MFG		SCALE		SIZE	DRAWING NO.
QA		1.5:1		A	160204
CUST					REV
REVISED					B
				DO NOT SCALE DRAWING	
				SHEET 1 OF 9	

# PACKAGE STYLE #2 SMALL HEAT SPREADER

DIMENSIONS: [ ] MM [ ] INCH



## ACTUAL MEASUREMENTS

SAMPLE	D	E	A3	A4
1				
2				
3				
4				
5				
6				
7				
8				
9				
10				
AVERAGE				

[ ] CONTINUED

CUSTOMER: \_\_\_\_\_

CONTACT: \_\_\_\_\_

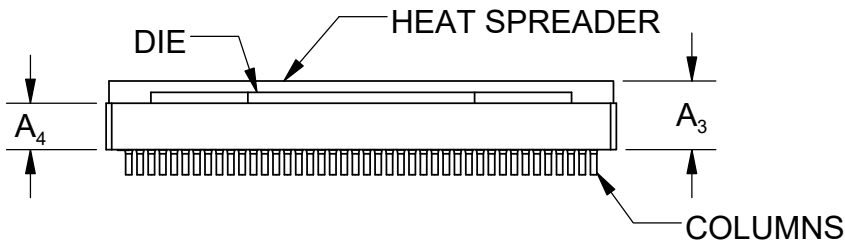
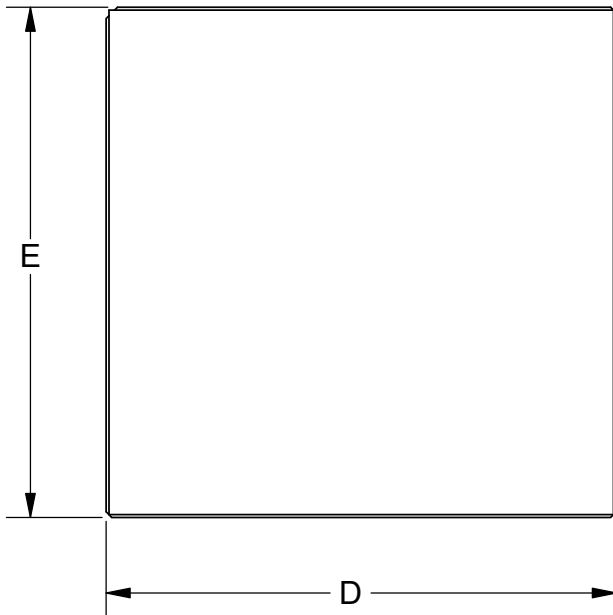
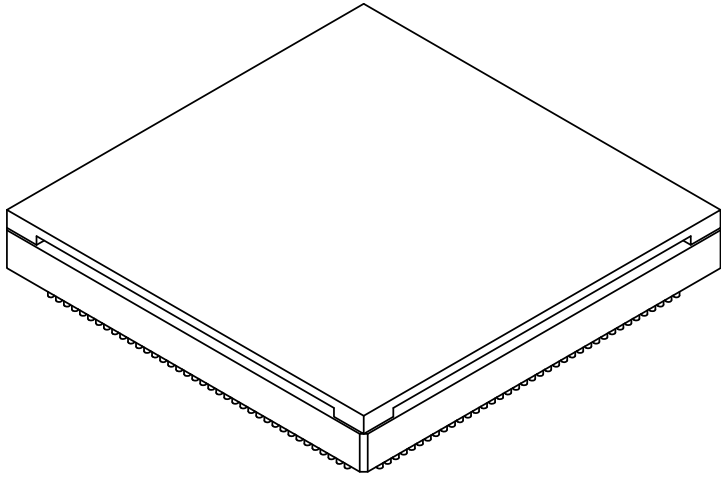
DATE: \_\_\_\_\_ 20\_\_

**TopLine**<sup>®</sup>

TITLE				MEASUREMENT LOG SHEETS			
SCALE	SIZE	DRAWING NO.		REV			
1.5:1	A	160204		B			
DO NOT SCALE DRAWING						SHEET 2 OF 9	

# PACKAGE STYLE #3 NEW HEAT SPREADER

DIMENSIONS: [ ] MM [ ] INCH



## ACTUAL MEASUREMENTS

SAMPLE	D	E	A3	A4
1				
2				
3				
4				
5				
6				
7				
8				
9				
10				
AVERAGE				

[ ] CONTINUED

CUSTOMER: \_\_\_\_\_

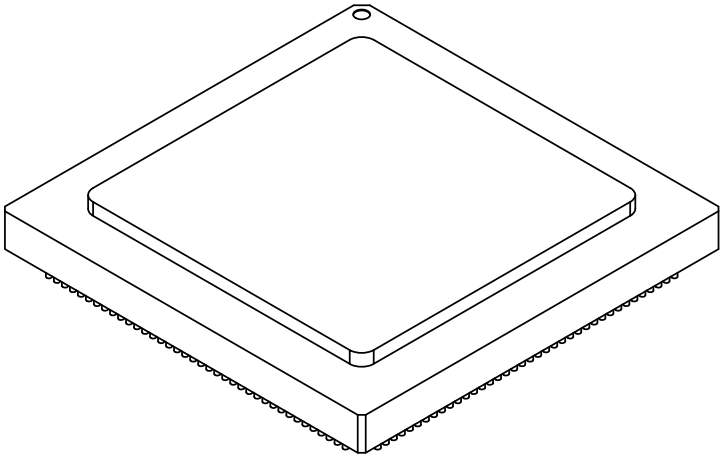
CONTACT: \_\_\_\_\_

DATE: \_\_\_\_\_ 20\_\_\_\_

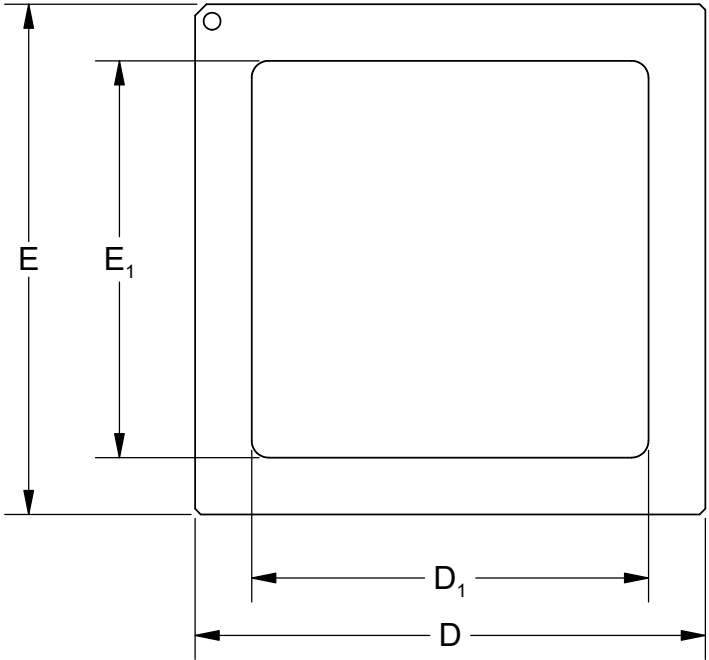
<b>TopLine®</b>			
TITLE MEASUREMENT LOG SHEETS			
SCALE 1.5:1	SIZE A	DRAWING NO. 160204	REV B
DO NOT SCALE DRAWING			SHEET 3 OF 9

# PACKAGE STYLE #4 LID / COVER

DIMENSIONS: [ ] MM [ ] INCH



ACTUAL MEASUREMENTS						
SAMPLE	D	D1	E	E1	A3	A4
1						
2						
3						
4						
5						
6						
7						
8						
9						
10						
AVERAGE						

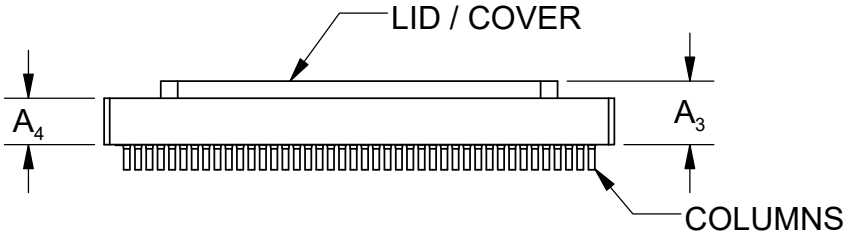


[ ] CONTINUED

CUSTOMER: \_\_\_\_\_

CONTACT: \_\_\_\_\_

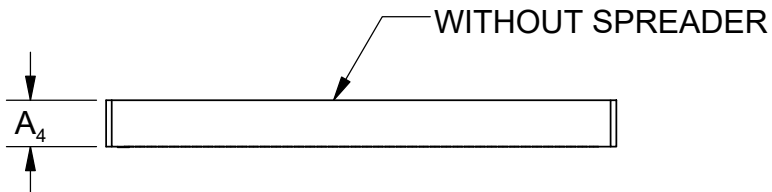
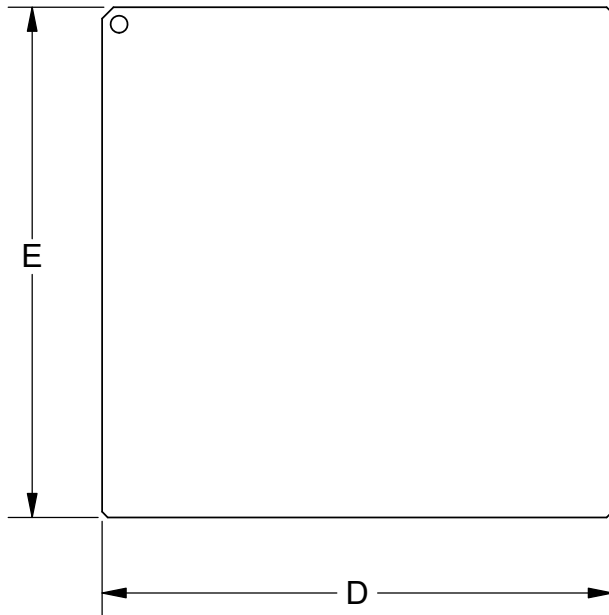
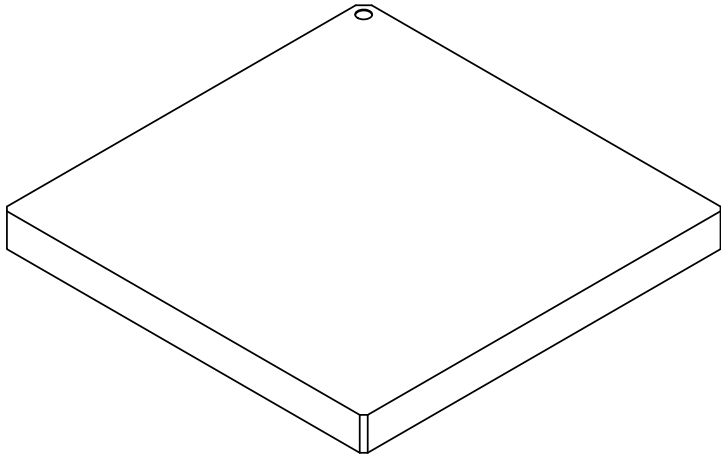
DATE: \_\_\_\_\_ 20\_\_



<b>TopLine®</b>			
TITLE		MEASUREMENT LOG SHEETS	
SCALE	SIZE	DRAWING NO.	REV
1.5:1	A	160204	B
DO NOT SCALE DRAWING			SHEET 4 OF 9

# PACKAGE STYLE #5 WITHOUT HEAT SPREADER

DIMENSIONS: [ ] MM [ ] INCH



## ACTUAL MEASUREMENTS

SAMPLE	D	E	A4
1			
2			
3			
4			
5			
6			
7			
8			
9			
10			
AVERAGE			

[ ] CONTINUED

CUSTOMER: \_\_\_\_\_

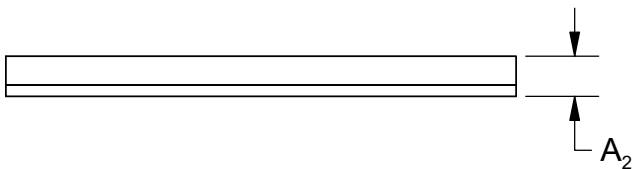
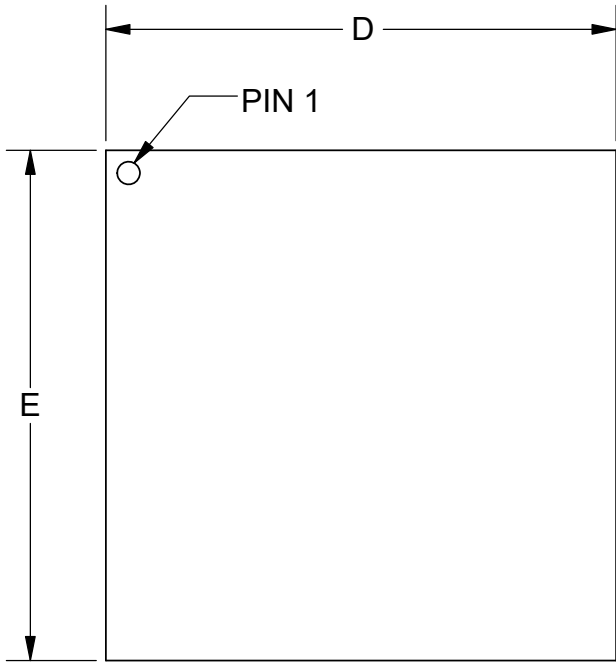
CONTACT: \_\_\_\_\_

DATE: \_\_\_\_\_ 20\_\_\_\_

<b>TopLine®</b>			
TITLE		MEASUREMENT LOG SHEETS	
SCALE	SIZE	DRAWING NO.	REV
1.5:1	A	160204	B
DO NOT SCALE DRAWING			SHEET 5 OF 9

# PACKAGE STYLE #6 FLAT HEAT SPREADER

DIMENSIONS: [ ] MM [ ] INCH



## ACTUAL MEASUREMENTS

SAMPLE	D	E	A <sub>2</sub>	Ø PAD
1				
2				
3				
4				
5				
6				
7				
8				
9				
10				
AVERAGE				

[ ] CONTINUED

CUSTOMER: \_\_\_\_\_

CONTACT: \_\_\_\_\_

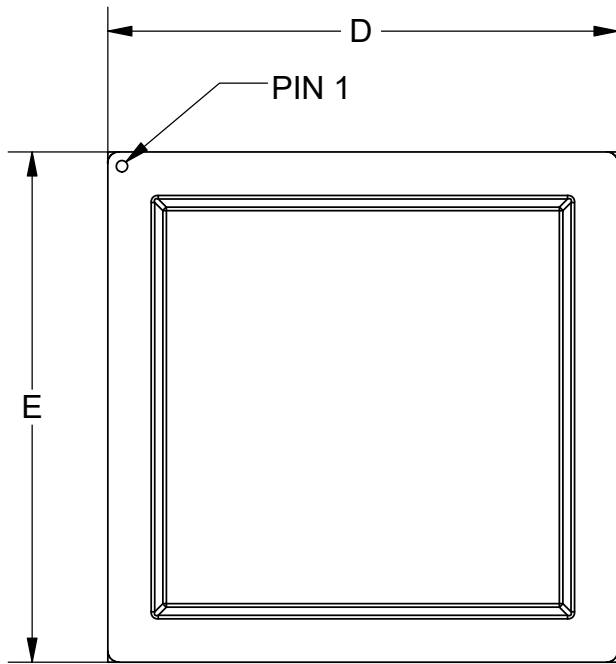
DATE: \_\_\_\_\_ 20\_\_\_\_

NOTES: (UNLESS OTHERWISE SPECIFIED).  
1) HEIGHT MEASUREMENT (A<sub>2</sub>) EXCLUDE SOLDER BALLS.

<b>TopLine®</b>			
TITLE		MEASUREMENT LOG SHEETS	
SCALE	SIZE	DRAWING NO.	REV
1.5:1	A	160204	B
DO NOT SCALE DRAWING			SHEET 6 OF 9

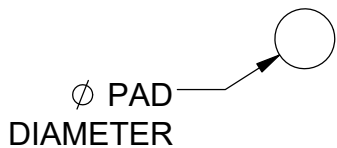
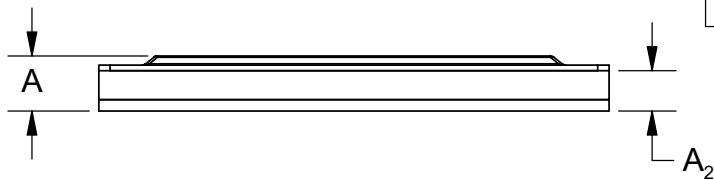
# PACKAGE STYLE #7 DOME SHAPE HEAT SPREADER

DIMENSIONS: [ ] MM [ ] INCH



## ACTUAL MEASUREMENTS

SAMPLE	D	E	A	A <sub>2</sub>	∅ PAD
1					
2					
3					
4					
5					
6					
7					
8					
9					
10					
AVERAGE					



[ ] CONTINUED

CUSTOMER: \_\_\_\_\_

CONTACT: \_\_\_\_\_

DATE: \_\_\_\_\_ 20\_\_\_\_

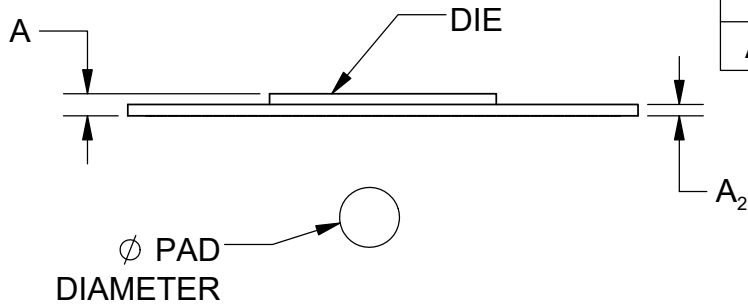
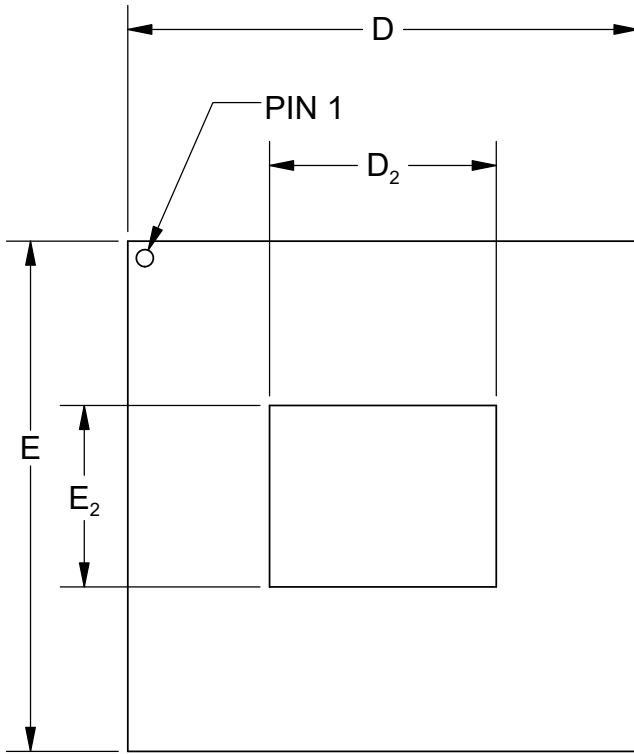
NOTES: (UNLESS OTHERWISE SPECIFIED).

1) HEIGHT MEASUREMENT (A<sub>2</sub>) EXCLUDE SOLDER BALLS.

<b>TopLine<sup>®</sup></b>			
TITLE		MEASUREMENT LOG SHEETS	
SCALE	SIZE	DRAWING NO.	REV
1.5:1	A	160204	B
DO NOT SCALE DRAWING			SHEET 7 OF 9

**PACKAGE STYLE #8  
SURFACE MOUNT DIE  
WITHOUT HEAT SPREADER**

DIMENSIONS: [ ] MM [ ] INCH



**ACTUAL MEASUREMENTS**

<b>SAMPLE</b>	<b>D</b>	<b>D<sub>2</sub></b>	<b>E</b>	<b>E<sub>2</sub></b>	<b>A</b>	<b>A<sub>2</sub></b>	<b>∅ PAD</b>
1							
2							
3							
4							
5							
6							
7							
8							
9							
10							
<b>AVERAGE</b>							

[ ] CONTINUED

CUSTOMER: \_\_\_\_\_

CONTACT: \_\_\_\_\_

DATE: \_\_\_\_\_ 20\_\_\_\_

NOTES: (UNLESS OTHERWISE SPECIFIED).

1) HEIGHT MEASUREMENT (A<sub>2</sub>) EXCLUDE SOLDER BALLS.

**TopLine<sup>®</sup>**

TITLE				<b>MEASUREMENT LOG SHEETS</b>			
SCALE	SIZE	DRAWING NO.	REV	SCALE	SIZE	DRAWING NO.	REV
1.5:1	A	160204	B				
DO NOT SCALE DRAWING						SHEET 8 OF 9	



# UNIVERSAL MEASUREMENTS

DIMENSIONS: [ ] MM [ ] INCH

ACTUAL MEASUREMENTS				
SAMPLE	D	E	A3	A4
1				
2				
3				
4				
5				
6				
7				
8				
9				
10				
AVERAGE				

[ ] CONTINUED

CUSTOMER: \_\_\_\_\_

CONTACT: \_\_\_\_\_

DATE: \_\_\_\_\_ 20\_\_\_\_

<b>TopLine®</b>			
TITLE      MEASUREMENT LOG SHEETS			
SCALE 1.5:1	SIZE A	DRAWING NO. 160204	REV B
DO NOT SCALE DRAWING			SHEET 9 OF 9