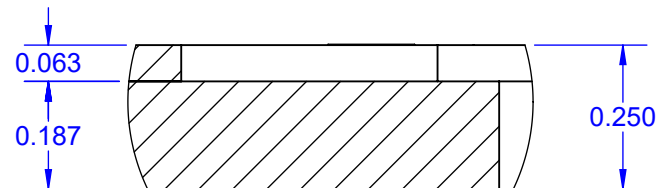
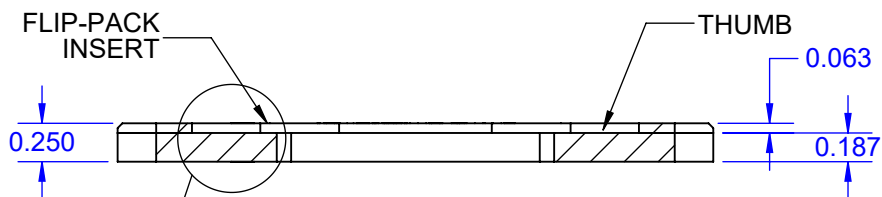
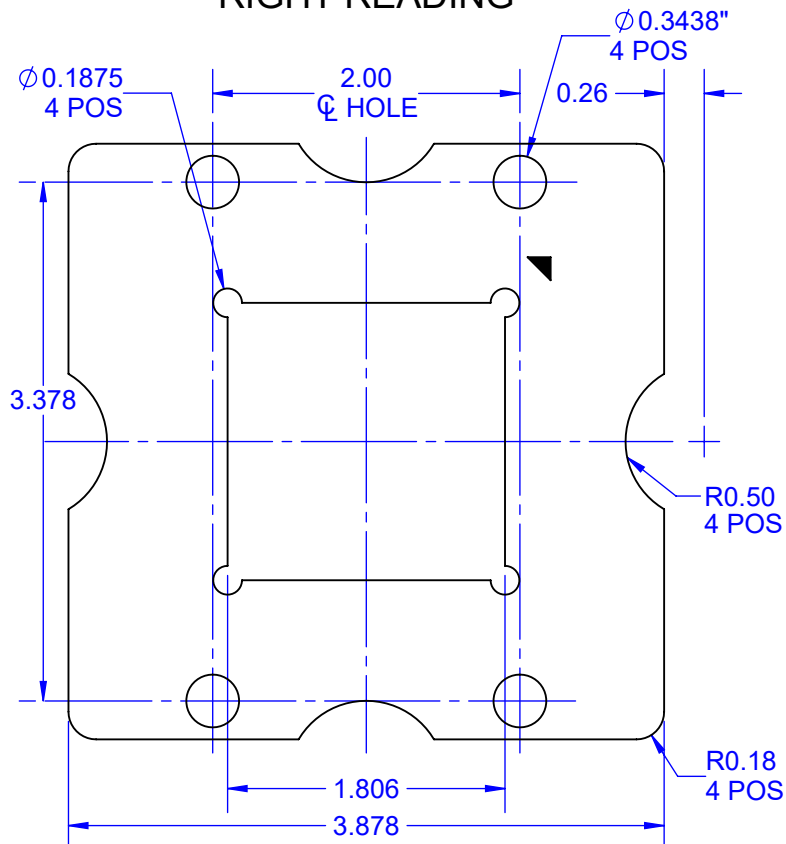
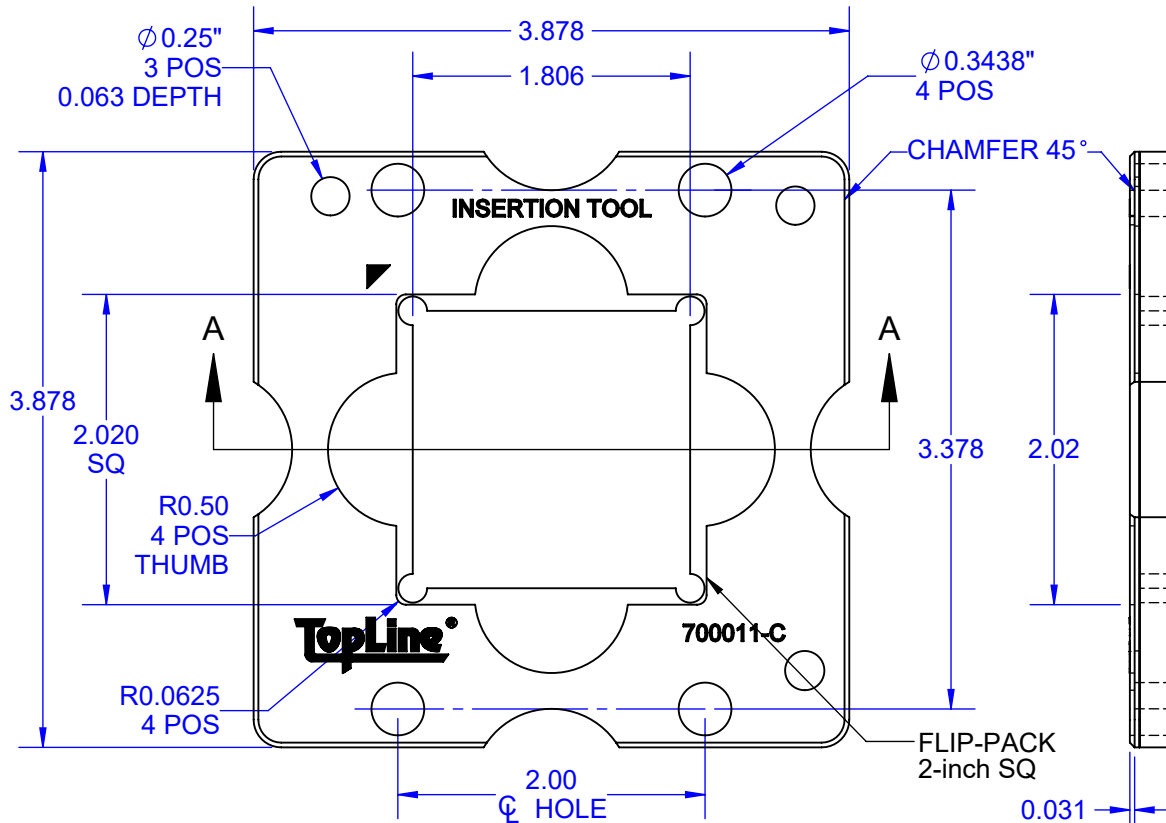


TOP SIDE

EDGE

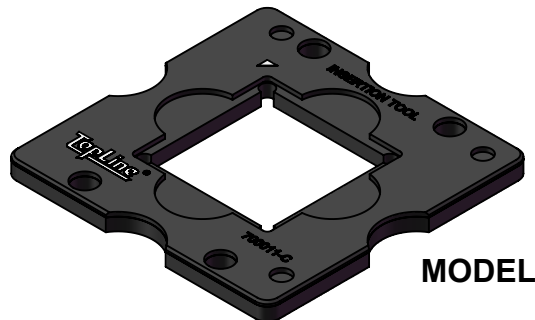
**BOTTOM SIDE
RIGHT READING**



SEE DETAIL A

SECTION A-A

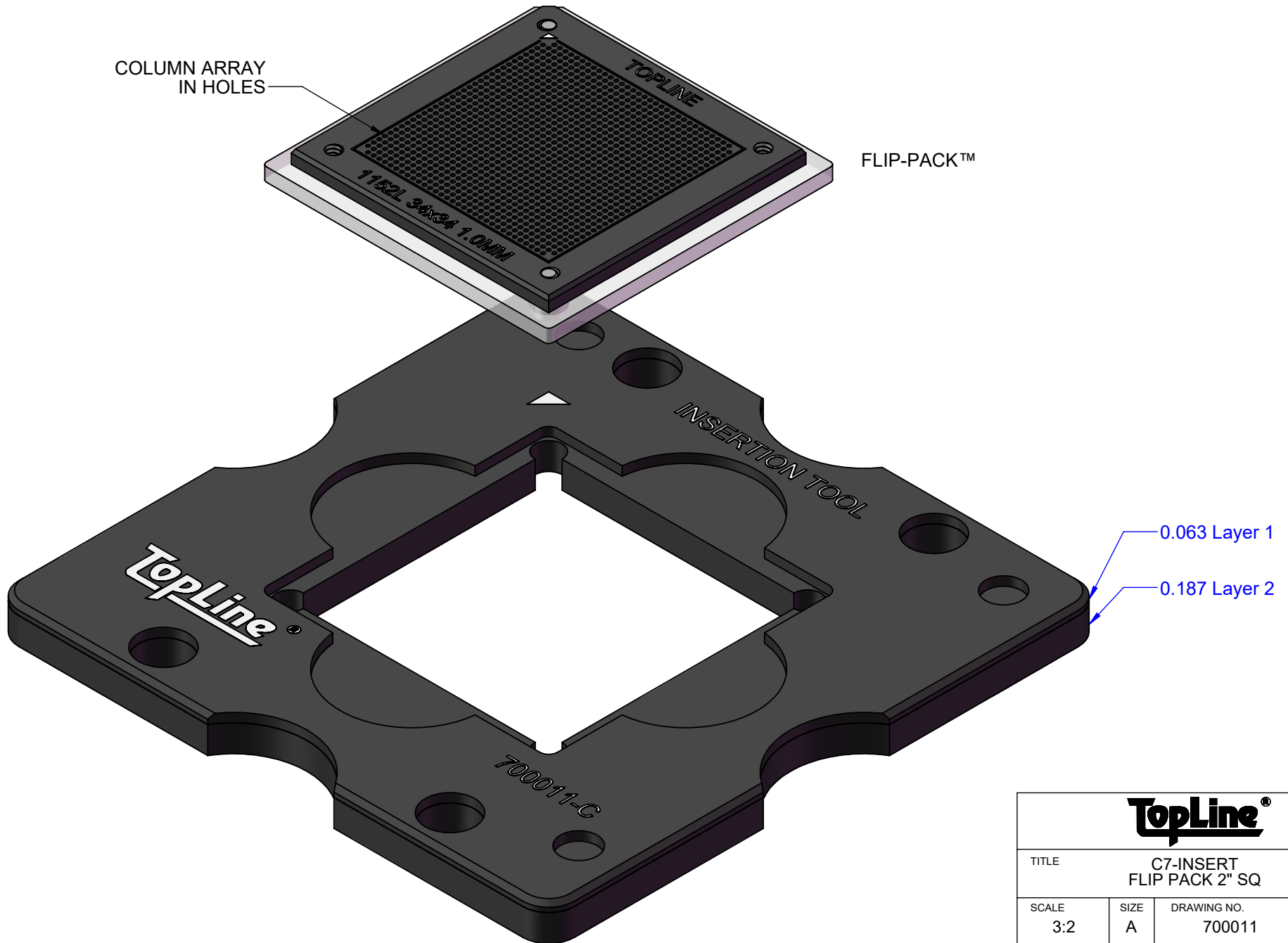
DETAIL A
SCALE 3 : 1



NOTES:
1. DIMENSIONS in INCHES.

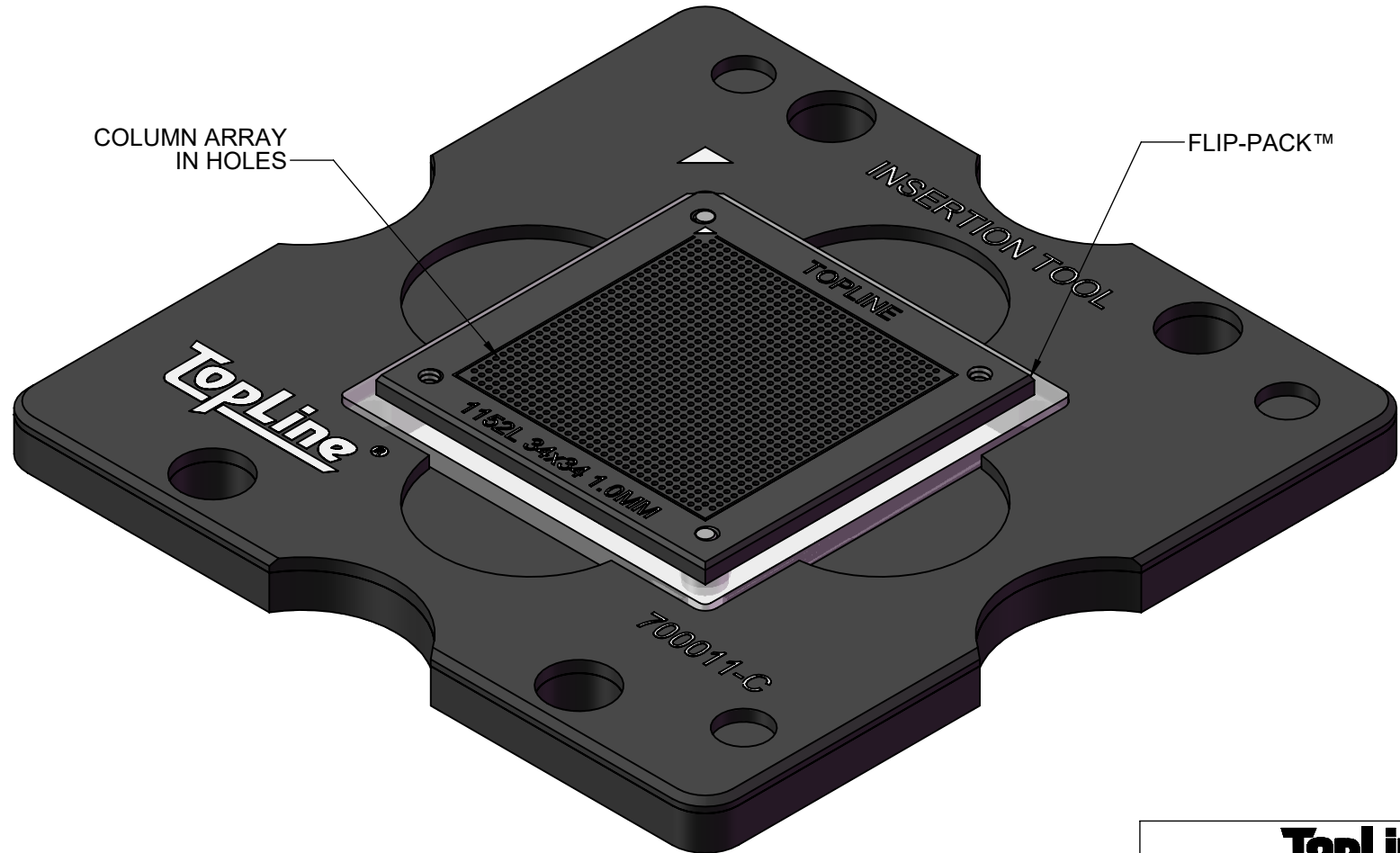
APPROVALS	DATE	TopLine®			
DRAWN T. Au	06/26/16				
ENG M. Hart	06/26/16	TITLE C7-INSERT FLIP PACK 2" SQ			
MFG		SCALE	SIZE	DRAWING NO.	REV
QA		1:1.25	A	700011	C
CUST		DO NOT SCALE DRAWING			SHEET 1 OF 5
REVISED					

EXPLODED VIEW



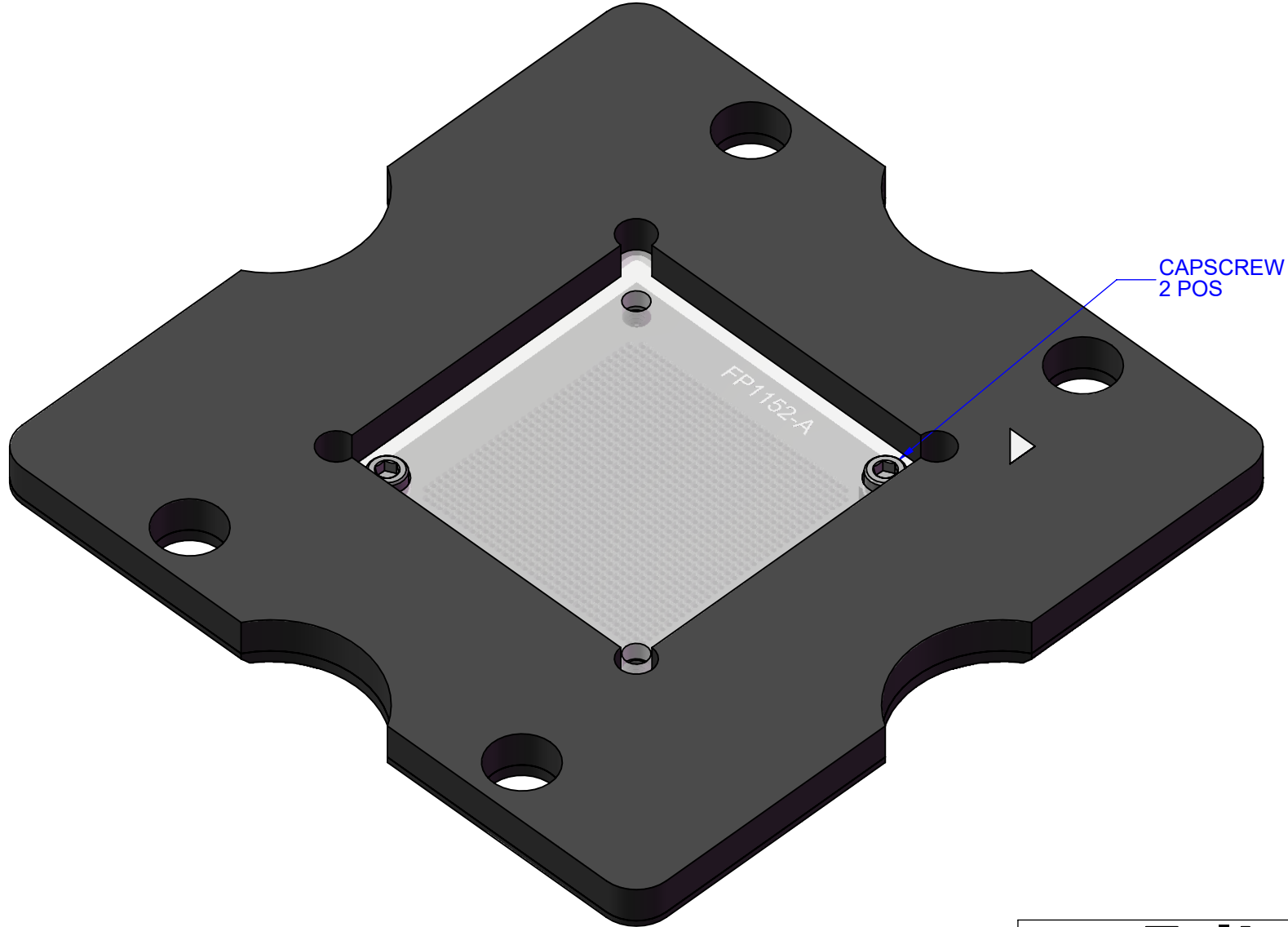
TopLine®			
TITLE		C7-INSERT FLIP PACK 2" SQ	
SCALE	SIZE	DRAWING NO.	REV
3:2	A	700011	C
DO NOT SCALE DRAWING			SHEET 2 OF 5

FLIP PACK SEATED IN TOOL TOP



TopLine®			
TITLE		C7-INSERT FLIP PACK 2" SQ	
SCALE	SIZE	DRAWING NO.	REV
3:2	A	700011	C
DO NOT SCALE DRAWING			SHEET 3 OF 5

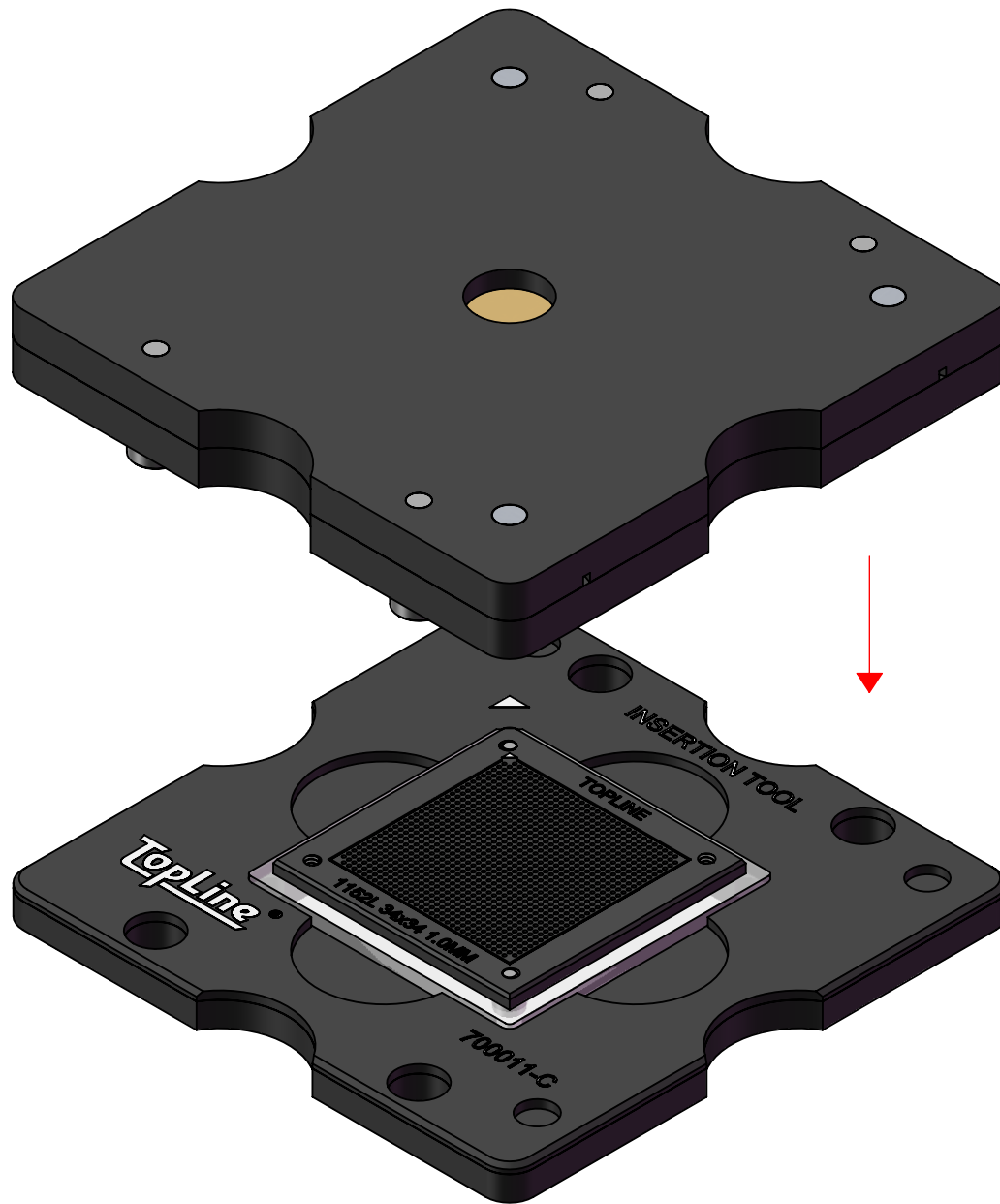
FLIP PACK SEATED IN TOOL
BOTTOM



CAPSCREW
2 POS

TopLine[®]			
TITLE		C7-INSERT FLIP PACK 2" SQ	
SCALE	SIZE	DRAWING NO.	REV
3:2	A	700011	C
DO NOT SCALE DRAWING			SHEET 4 OF 5

**EXPLODED VIEW
GRAPHITE MATING WITH
INSERTION TOOL**



GRAPHITE SET

INSERTION TOOL

TopLine®			
TITLE		C7-INSERT FLIP PACK 2" SQ	
SCALE	SIZE	DRAWING NO.	REV
3:2	A	700011	C
DO NOT SCALE DRAWING			SHEET 5 OF 5